

MX75 – 3” DIGITAL FLOW METERS

SUITABLE FOR FLOW RANGE 20-733L/MIN



MX75F-1SE
Aluminium body with LCD register

Output variations:



- B - Ex approved (Ex ia)**
Intrinsically Safe - NPN
- N - Ex approved (Ex ia)**
Intrinsically Safe - NAMUR
- T - High Temperature**
Max temp- 150°C



- F - ER**
LCD Display (17mm)
- G- ERA**
LCD Display (17mm)
- H- ERB**
LCD Display (17mm)
Batch controller



- D - PR**
LCD Display (12mm)
- E - PRA**
LCD Display (12mm)
with outputs



- A - Standard Pulse**
Reel/Hall Effect
- I - Standard Pulse**
Reel/Reed Effect
- J - Standard Pulse**
Hall/Hall Effect
- K - High Resolution**
Hall NPN

The MX75 3” Digital Flow Meters are suitable for flows between 20-733L/min. The 3” Digital Flow Meters have an accuracy of +/- 0.5% and provides exceptional levels of reliability and durability.

SPECIFICATIONS

	MX75F		MX75S	
Materials of Construction Meter Body	Cast Aluminium (6061)		Cast Aluminium (6061)	
	Rotor		Aluminium (6061)	
	Seals		PTFE encapsulated (FEP)	
Design Specifications Process Connections	Threaded	Flange	Threaded	Flange
	3" G 3" NPT	ANSI CLASS 150 DIN PN16 JIS 10k	3" G 3" NPT	ANSI CLASS 150 DIN PN16 JIS 10k
Technical Specifications	Flow rate	<5cP 60-600L/min 17-170USG/min	>5cP 20-733L/min 5-194USG/min	<5cP 60-600L/min 17-170USG/min
	Operating Temperature Range*	-40 - 120°C -40 - 248°F		-40 - 120°C -40 - 248°F
	Max. Operating Pressure**	175 psi 12 bar		175 psi 12 bar
	Accuracy	+/- 0.5%		+/- 0.5%
	Repeatability	+/- 0.03%		+/- 0.03%
	Nominal K-Factor	2.58 Pulses/L		2.58 Pulses/L

*Temperature based on standard pulse output - subject to change dependant on rotor and output type, contact Macnaught technical support for further investigations

** Pressure rating subject to change as per flange rating

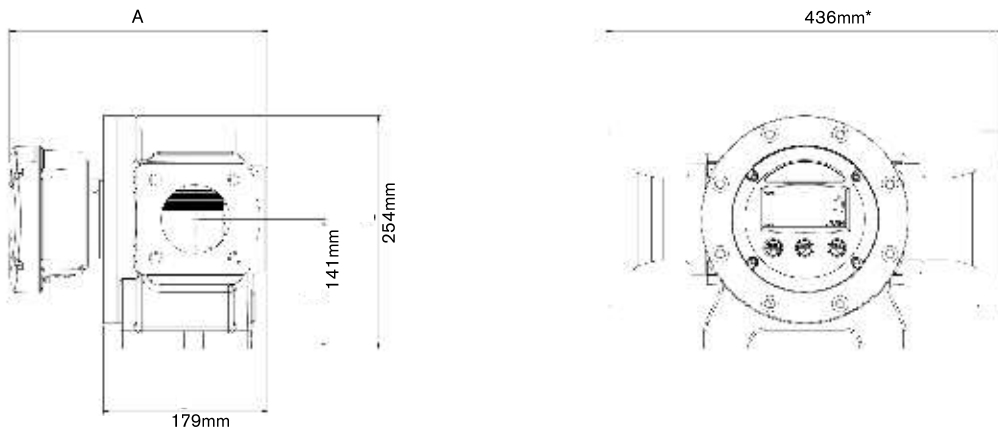
OUTPUTS TYPES

	DESCRIPTION	SWITCH TYPE	OUTPUT TYPE	MX75F	MX75S
X	No Output	-	No Output	●	●
A	Standard Pulse	Reed /Hall (NPN)	Pulse (1 m flying lead)	●	●
B	Ex approved (Ex ia)	Hall (NPN)	Pulse (2m DIN cable)	—	●
D	PR (LCD 12mm display)	-	Display 12mm	●	●
E	PRA (LCD 12mm display)	-	Display 12mm, 4-20mA output, Pulse	●	●
F	ER (LCD 17mm display)	-	Display 17mm	●	●
G	ERA (LCD 17mm display)	-	Display 17mm, 4-20mA output, Pulse	●	●
H	ERB (LCD 17mm display)	-	Display 17mm + Batch Control	●	●
N	Ex Approved (Ex ia NAMUR)	NAMUR	Pulse (2m DIN cable)	—	●
T	High Temperature	Hall (NPN)	Pulse	✗	●
I	Reed/Reed	Reed/Reed	Pulse (1 m flying lead)	—	—
J	Hall/Hall	Hall/Hall	Pulse (1 m flying lead)	—	—
K	High Resolution (omnipolar)	Hall (NPN)	Pulse (1 m flying lead)	—	—

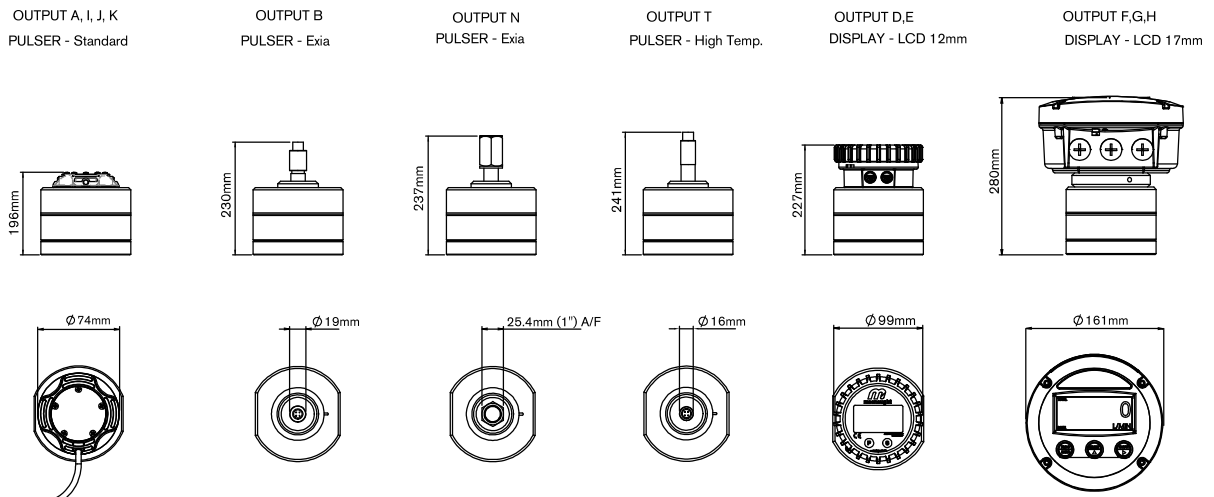
● Available ✗ Not Available S Only with stainless steel rotors — Consult Macnaught Technical regarding availability

MX-SERIES FLOW METERS

DIMENSIONS



PULSER AND DISPLAY HEIGHT - A



*Length subject to change refer to appendix B (pg. 88) for full dimension variations