

Electromagnetic flowmeters

Series FLOMID



Electromagnetic flowmeter for conductive liquids

- Flow rate measurement is independent of density, temperature, viscosity and pressure
- Pulsed coil excitation to obtain a minimum zero drift
- No moving parts involve low maintenance, low pressure drop and allows the pass of solids. Good chemical resistance
- Can be mounted in any position (full pipe required)
- Can be installed with short straight pipe sections of minimum 5 x DN before and 3 x DN after the flowmeter
- Flow rate: 5 l/h ... 10100 m³/h
- Accuracy: $\pm 0.5\%$ reading value
- Minimum electric conductivity: 20 $\mu\text{S}/\text{cm}$
- Connections:
 - Wafer EN 1092-1 or ASME B16.5: DN3 ... DN100
 - EN 1092-1 or ASME B16.5 flanges: DN10 ... DN600
 - Sanitary couplings: DN10 ... DN100
Acc. to ISO 2852, SMS 1145, DIN 11851, TRI-CLAMP®
 Other standards on request
- Materials:
 - Lining in PP, PVDF, PTFE and Ebonite (hard rubber)
 - Electrodes in Hastelloy C22 (UNS-06022), Titanium, EN 1.4404 (AISI 316L), Tantalum
 - Flow tube in EN 1.4301 (AISI 304)
- Local indication, volume totalizer, 4-20 mA and pulse outputs
- Alarms, empty pipe detection, etc. depending on converter model
- Full diagnosis for MX4 converter
- HART and MODBUS communication protocols available on request
- Compact converter, mounted on top of the sensor
- Remote converter for wall or pipe mounting for MX4 and XT5 converters



HART
COMMUNICATION PROTOCOL

Modbus

Working principle

The measurement principle is based on Faraday's induction law. A voltage V is induced between a pair of electrodes when a conductive liquid flows in a pipe of diameter D at an average velocity v_m , through a magnetic field B (which is perpendicular to the flow direction).

This voltage, proportional to the average velocity of the liquid, is acquired by the electronic converter in order to be processed and converted to a flow rate measurement.

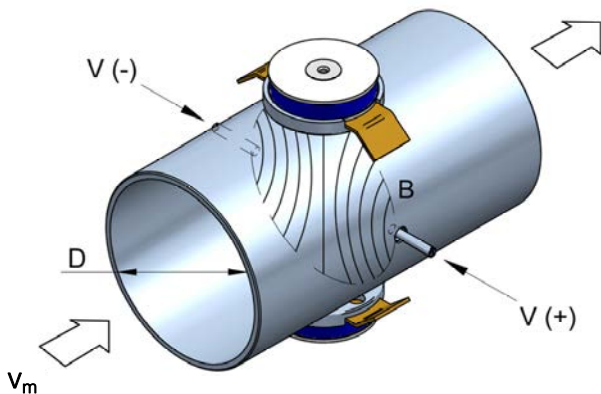
$$V = B \cdot v_m \cdot D$$

V = Voltage across the electrodes

B = Magnetic field strength

v_m = Liquid velocity

D = Pipe diameter



Applications

- Cooling-heating circuits & water treatment plants
- Food and beverage and pharmaceutical industries
- Petrochemical industry and offshore platforms
- Paper industry and fertilizer plants
- Car industry and machinery testing

Models

- **FLOMID-0FX**: wafer mounted sensor, with FX connector for MX4 and XT5 converters. Available with PP and PVDF lining
- **FLOMID-2FX / 4FX**: flanged sensor (according to EN 1092-1 y ASME B16.5 respectively), with FX connector for MX4 and XT5 converters. Available with Ebonite and PTFE lining
- **FLOMID-1 ... 3 ... 5I ... 5D ... 5T ... 6B ... 6N ... 7 ... 9WD ... 9WIFX**: sensor with sanitary or threaded couplings and with connections for welding, with FX connector for MX4 and XT5 converters. Available with PTFE lining
- **FLOMID-0 ... 2 ... 4XL**: sensor for mounting as per previous naming, with XL connector for XL1 converter. Available linings and connections as per previous models

Technical data

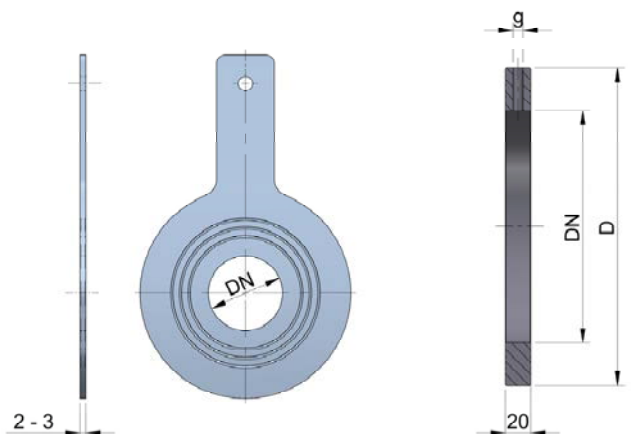
- **Accuracy**: $\pm 0.5\%$ reading value for flow speed ≥ 0.4 m/s
 - **Minimum electric conductivity**: $20 \mu\text{S}/\text{cm}$
 - **Repeatability**: depending on converter
 - **Measuring range**: equivalent to $0.2 \dots 10$ m/s, depending on flowmeter size
 - **Liquid temperature**: see chart on next page
 - **Working pressure**: see chart on next page
 - **Connections**:
 - Wafer EN 1092-1 or ASME B16.5: DN3 ... DN100
 - EN 1092-1 or ASME B16.5 flanges: DN10 ... DN600
 - Sanitary couplings: DN10 ... DN100, according to ISO 2852, SMS 1145, DIN 11851, TRI-CLAMP®
- Other standards on request

Electronic converters and options

- **XT5**: Local flow indication, volume totalizer and 4-20 mA and pulse outputs. Compact or remote mounting (model XT5M). HART protocol with model XT5H
- **MX4**: Local flow indication, volume totalizer and 4-20 mA and pulse outputs. 2 relay outputs configurable as an alarm, among others. Full diagnosis. Compact or remote mounting. HART protocol with model MX4H and MODBUS RTU RS485 with model MX4B. Programmable by means of keyboard or Tecfluid S.A. Winsmeter MX4 software and USB cable
- **XL1**: 4-20 mA analog output and digital output, configurable as pulses or alarm. Without indication. Programmable by means of Tecfluid S.A. Winsmeter XL1 software and USB cable
- **Options**:
 - **Earthing rings**: for plastic or non-conductive material pipes (2 rings required). In case of liquids not compatible with metallic earthing rings, plastic rings with specific electrode materials are also available.

Metallic earthing ring

Plastic earthing ring + electrode



All dimensions in mm

Temperature, pressure and vacuum limits

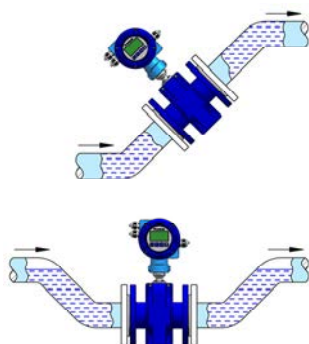
DN	PTFE FLOMID-2FX / 4FX		PVDF / PTFE FLOMID-0FX / sanitary		PP FLOMID-0FX		EBONITE (hard rubber) FLOMID-2FX / 4FX	
	PN (Class)	Vacuum ⁽¹⁾	PN (Class)	Vacuum ⁽¹⁾	PN (Class)	Vacuum ⁽¹⁾	PN (Class)	Vacuum ⁽¹⁾
3								
6								
10				60 / 500		100 / 600		
15								
20								
25		80 / 500	PN16 (150#)		PN16 (150#)			
32				100 / 600		180 / 700		100 / 200
40	PN16 (150#)							
50								
65		150 / 650		150 / 700		200 / 800	PN16 (150#)	120 / 250
80								
100		250 / 750	PN10 (150#)	300 / 800	PN10 (150#)	380 / 900		
125								280 / 400
150		450 / 800						
200		450 / 900						
250		500 / 1000						300 / 450
300								
350	PN10 (150#)						PN10 (150#)	
400		750 / 1000						500 / 600
500								
600		1000 / 1000						1000 / 1000
Temp. range	-20°C ... +120°C		-20°C ... +120°C		-10°C ... +80°C		-20°C ... +90°C	
Limit ⁽²⁾	130°C		130°C		-		-	

⁽¹⁾ In mbar absolute, reference temperature 40°C / 80°C

⁽²⁾ Maximum 30'

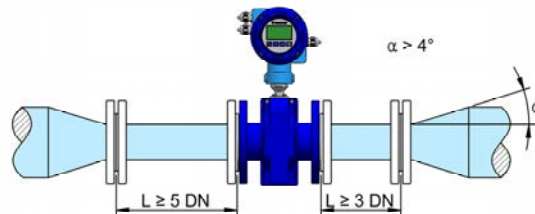
Installation

- **Full pipe** and electrodes always wetted by the liquid are required. To guarantee this, the sensor should be mounted with the electrodes in a horizontal line and in a place of the installation so that the liquid does not contain air pockets.



- **Vibration:** fasten the pipe at both sides of the sensor, mainly in cases with free runs of piping over 10 m long. In plants with excessive vibration, it is recommended to install the electronic converter separate from the sensor.
- **Straight sections of pipe:** required straight pipe run depends on the flow profile, which can be affected by the disturbing elements found in the installation. A minimum distance of at least **5 x DN upstream and 3 x DN downstream** from the flowmeter must be kept.

- **Valves** should be downstream from the flowmeter to keep the pipe full and to avoid vacuums which can damage the flowmeter lining.
- **Pumps** should be upstream from the flowmeter to avoid vacuums. In installations where it is necessary to reduce the pipe diameter, this should be done using a **reduction cone** with an angle of less than 4° in order to avoid turbulences.



Materials

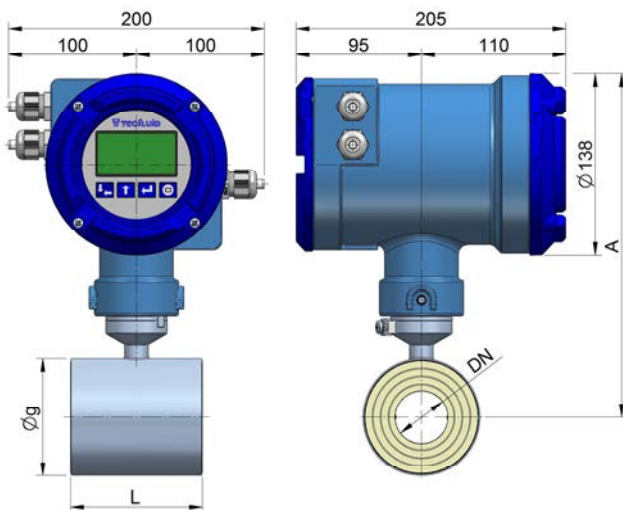
- Lining in PP, PVDF, PTFE and Ebonite (hard rubber)
- Electrodes in Hastelloy C22 (UNS-06022), Titanium, EN 1.4404 (AISI 316L), Tantalum
- Flow tube in EN 1.4301 (AISI 304)
- Carbon Steel flanges (models 2/4FX ... XL).
Optional EN 1.4404 (AISI 316L)
- Couplings EN 1.4404 (AISI 316L) (sanitary connection)
- Seals NBR, VITON®, silicone (models 0FX ... XL)

Dimensions

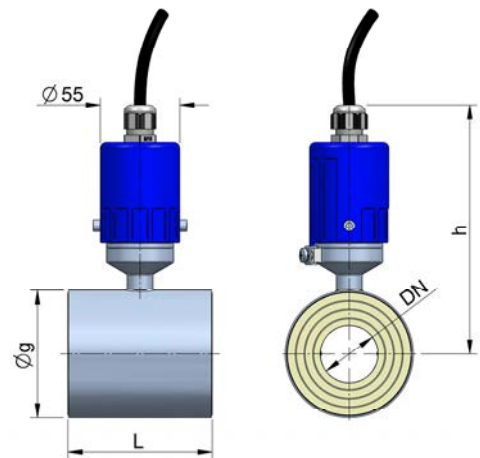
Sensor FLOMID-0FX wafer mounting

DN	NPS	PN (Class)	g	L	A	Ax	h	Weight (kg)
3	1/2"		48	65	240	253	152	0,6
6	1/2"		48	65	240	253	152	0,6
10	1/2"		48	65	240	253	152	0,6
15	3/4"		54	65	243	256	155	0,7
20	1"		63	65	248	261	160	0,9
25	1 1/4"	16 (150#)	73	80	252	266	165	1,0
32	1 1/2"		84	80	258	272	171	1,1
40	2"		89	100	261	274	173	1,3
50	2 1/2"		108	100	270	284	183	1,6
65	3"		129	120	281	294	193	2,3
80	3 1/2"		141	120	287	300	199	2,6
100	4"	10 (150#)	154	165	293	307	206	3,4

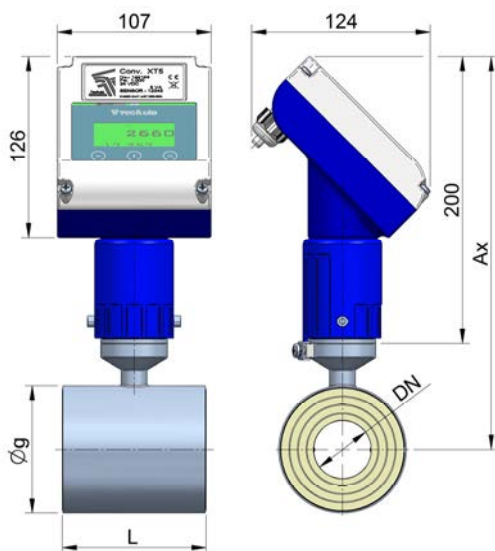
Converter MX4 compact mounting



Converter remote mounting



Converter XT5 compact mounting



FLOMID-0FX with MX4 compact converter



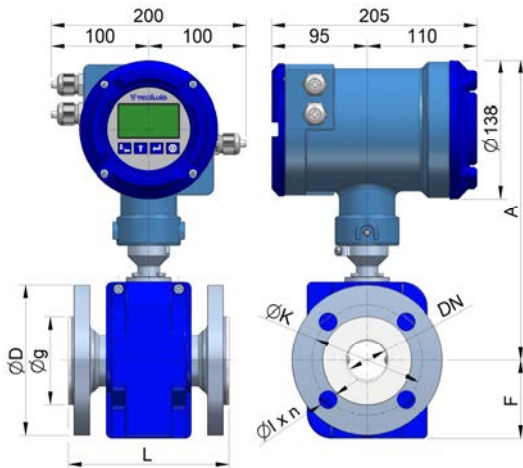
(All dimensions in mm)

Electromagnetic flowmeters

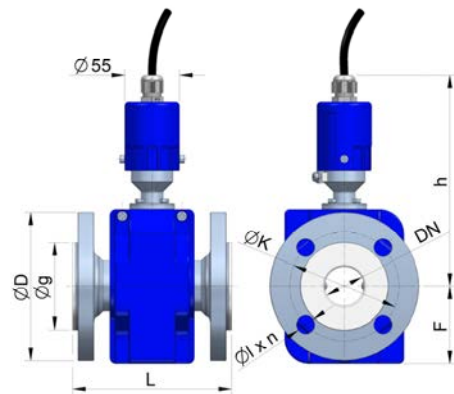
Series FLOMID

Sensor FLOMID-FX flanged mounting (common dimensions)								FLOMID-2FX (EN 1092-1 flanged mounting)					FLOMID-4FX (ASME B16.5 flanged mounting)				
DN	NPS	PN (Class)	L	A	Ax	h	Weight (kg)	D	K	l x n	g	F	D	K	l x n	g	F
10	½"		150	292	307	206	2,9	90	60	14 x 4	40	71	90	60,3	5/8" x 4	34,9	71
15	½"		150	292	307	206	2,9	95	65	14 x 4	45	71	90	60,3	5/8" x 4	34,9	71
20	¾"		150	292	307	206	3,4	105	75	14 x 4	58	71	100	69,9	5/8" x 4	42,9	71
25	1"		150	292	307	206	3,9	115	85	14 x 4	68	71	110	79,4	5/8" x 4	50,8	71
32	1 ¼"		160	300	314	213	5,4	140	100	18 x 4	78	78	115	88,9	5/8" x 4	63,5	78
40	1 ½"	16	160	300	314	213	5,9	150	110	18 x 4	88	78	125	98,4	5/8" x 4	73,0	78
50	2"	(150#)	200	326	341	240	7,4	165	125	18 x 4	102	105	150	120,7	¾" x 4	92,1	105
65	2 ½"		200	326	341	240	8,9	185	145	18 x 8	122	105	180	139,7	¾" x 4	104,8	105
80	3"		200	326	341	240	10,9	200	160	18 x 8	138	105	190	152,4	¾" x 4	127,0	105
100	4"		250	320	333	232	14,9	220	180	18 x 8	158	110	230	190,5	¾" x 8	157,2	115
125	5"		250	332	346	245	16,9	250	210	18 x 8	188	125	255	215,9	7/8" x 8	185,7	128
150	6"		300	347	361	260	19,9	285	240	22 x 8	212	143	280	241,3	7/8" x 8	215,9	140
200	8"		350	376	390	289	30,9	340	295	22 x 8	268	170	345	298,5	7/8" x 8	269,9	173
250	10"		400	404	410	317	44,9	395	350	22 x 12	320	198	405	362,0	1" x 12	323,8	203
300	12"		500	421	435	334	52,9	445	400	22 x 12	370	223	485	431,8	1" x 12	381,0	243
350	14"	10	500	454	468	367	61,9	505	460	22 x 16	430	253	535	476,3	1 1/8" x 12	412,7	268
400	16"	(150#)	600	471	485	384	75,9	565	515	26 x 16	482	283	595	539,8	1 1/8" x 16	469,9	298
450	18"		600	526	540	439	84,9	615	565	26 x 20	532	309	635	577,9	1 1/8" x 16	533,4	318
500	20"		600	551	565	464	97,9	670	620	26 x 20	585	335	700	635,0	1 1/8" x 20	584,2	350

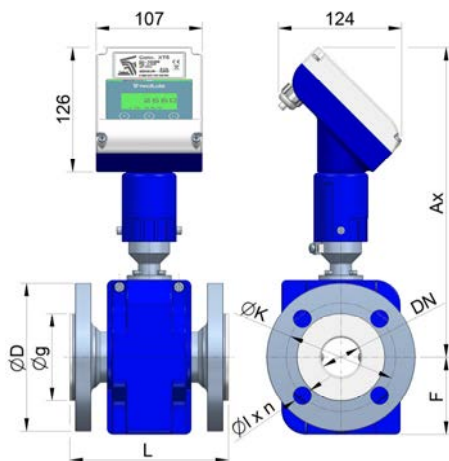
Converter MX4 compact mounting



Converter remote mounting



Converter XT5 compact mounting



FLOMID-2FX with
XT5 compact
converter

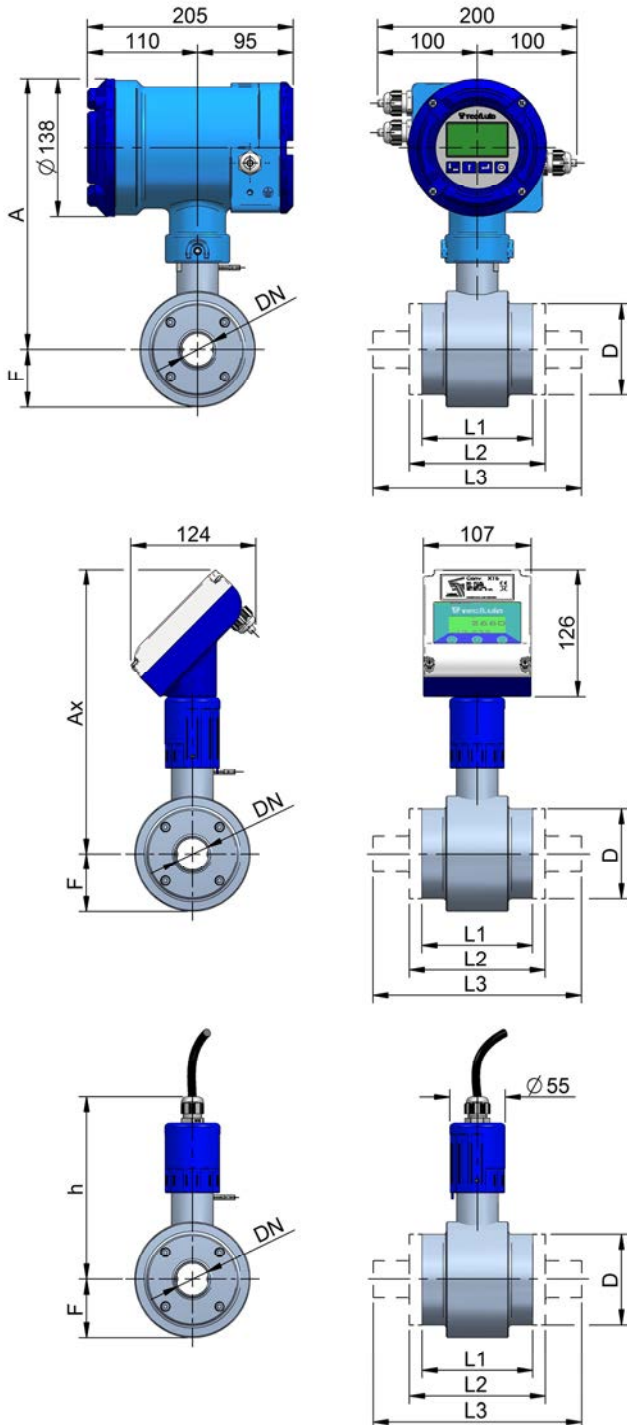


(All dimensions in mm)

Electromagnetic flowmeters with hygienic couplings

Sensor with PTFE lining and AISI 316L end connections, with hygienic couplings according to CLAMP ISO 2852, TRI-CLAMP®, DIN 11851 and SMS 1145 (others on request). Available for MX4 and XT5 converters.

Dimensions



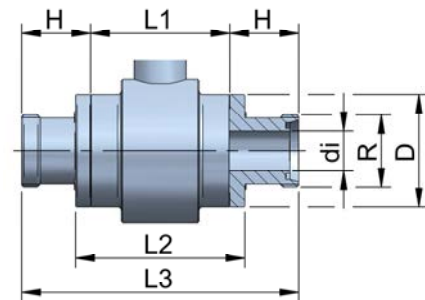
(All dimensions in mm)

Sensor FLOMID-FX hygienic couplings (common dimensions)

DN	L1	L2	D	A	Ax	h	F
10	104	120	60	260	274	172	48
15	104	120	65	260	274	172	48
20	104	120	70	262	276	174	50
25	110	134	80	262	276	174	50
32	110	134	90	270	284	182	58
40	130	154	100	270	284	182	58
50	130	154	115	279	293	191	66
65	160	186	145	292	306	204	79
80	160	186	160	300	314	212	86
100	204	234	180	316	330	228	102

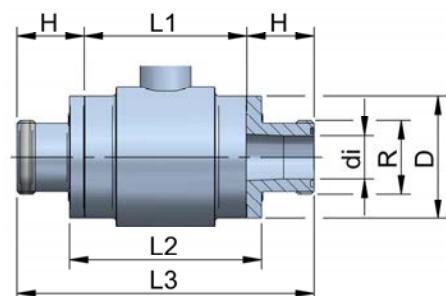
FLOMID-1FX (DIN 11851)

DN	di	R	D	L1	L2	L3	H
10	10	Rd 28 x 1/8"	60	104	120	200	48
15	16	Rd 34 x 1/8"	65	104	120	200	48
20	20	Rd 44 x 1/6"	70	104	120	200	48
25	26	Rd 52 x 1/6"	80	110	134	220	55
32	32	Rd 58 x 1/6"	90	110	134	220	55
40	38	Rd 65 x 1/6"	100	130	154	240	55
50	50	Rd 78 x 1/6"	115	130	154	240	55
65	66	Rd 95 x 1/6"	145	160	186	280	60
80	81	Rd 110 x 1/4"	160	160	186	280	60
100	100	Rd 130 x 1/4"	180	204	234	330	63



FLOMID-3FX (SMS 1145)

DN	di	R	D	L1	L2	L3	H
25	22.5	Rd 40 x 1/6"	80	110	134	220	55
32	29.5	Rd 48 x 1/6"	90	110	134	220	55
40	35.5	Rd 60 x 1/6"	100	130	154	240	55
50	48.5	Rd 70 x 1/6"	115	130	154	240	55
65	60.5	Rd 85 x 1/6"	145	160	186	280	60
80	72.0	Rd 98 x 1/6"	160	160	186	280	60



Electromagnetic flowmeters

Series FLOMID

FLOMID-5IFX (CLAMP ISO 2852)

DN	OD*	di	C	D	L1	L2	L3	H
10	12.0	10.0	34.0	60	104	120	200	48
10	12.7	10.7	34.0	60	104	120	200	48
15	17.2	15.2	34.0	65	104	120	200	48
20	21.3	19.3	34.0	70	104	120	200	48
25	25.0	22.6	50.5	80	110	134	220	55
32	33.7	31.3	50.5	90	110	134	220	55
40	38.0	35.6	50.5	100	130	154	240	55
50	51.0	48.6	64.0	115	130	154	240	55
65	63.5	60.3	77.5	145	160	186	280	60
80	76.1	72.9	91.0	160	160	186	280	60
100	101.6	97.6	119.0	180	204	234	330	63

* OD = pipe outer Ø according to ISO 2037

FLOMID-5DFX (CLAMP DIN 32676)

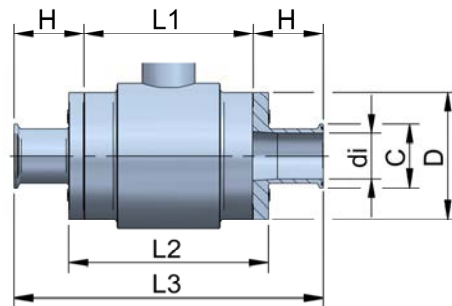
DN	OD*	di	C	D	L1	L2	L3	H
10	13	10	34.0	60	104	120	200	48
15	19	16	34.0	65	104	120	200	48
20	23	20	34.0	70	104	120	200	48
25	29	26	50.5	80	110	134	220	55
32	35	32	50.5	90	110	134	220	55
40	41	38	50.5	100	130	154	240	55
50	53	50	64.0	115	130	154	240	55
65	70	66	91.0	145	160	186	280	60
80	85	81	106.0	160	160	186	280	60
100	104	100	119.0	180	204	234	330	63

* OD = pipe outer Ø according to DIN 11850 (Series 2)

FLOMID-5TFX (TRI-CLAMP®)

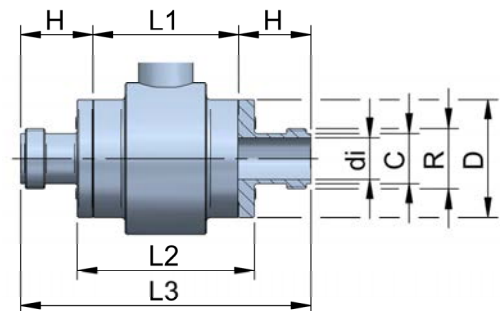
DN	Coup.	OD*	di	C	D	L1	L2	L3	H
10	½"	12.7	9.4	25.0	60	104	120	200	48
15	¾"	19.0	15.7	25.0	65	104	120	200	48
25	1"	25.4	22.1	50.4	80	110	134	220	55
40	1½"	38.1	34.8	50.4	100	130	154	240	55
50	2"	50.8	47.5	63.9	115	130	154	240	55
65	2½"	63.5	60.2	77.4	145	160	186	280	60
80	3"	76.2	72.9	90.9	160	160	186	280	60
100	4"	101.6	97.4	118.9	180	204	234	330	63

* OD = pipe outer Ø according to ASME BPE DT-1



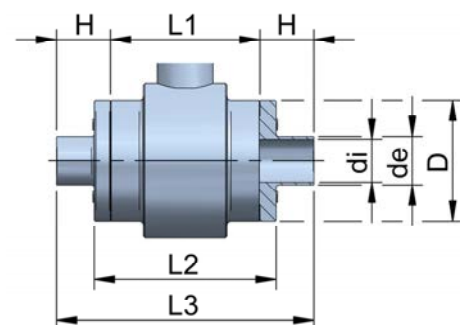
FLOMID-7FX (ISO 2853)

DN	di	R	C	D	L1	L2	L3	H
10	10.0	Tr 22,89 x 1/8"	15.0	60	104	120	200	48
15	15.2	Tr 29,26 x 1/8"	21.2	65	104	120	200	48
20	19.3	Tr 33,53 x 1/8"	25.4	70	104	120	200	48
25	22.6	Tr 37,13 x 1/8"	29.0	80	110	134	220	55
32	31.3	Tr 45,97 x 1/8"	38.0	90	110	134	220	55
40	35.6	Tr 50,65 x 1/8"	42.5	100	130	154	240	55
50	48.6	Tr 64,16 x 1/8"	56.0	115	130	154	240	55
65	60.3	Tr 77,67 x 1/8"	69.7	145	160	186	280	60
80	72.9	Tr 91,19 x 1/8"	82.3	160	160	186	280	60
100	97.6	Tr 118,21 x 1/8"	108.5	180	204	234	330	63



FLOMID-9WDFX (DIN 11850 weld-on connections)

DN	de*	di	D	L1	L2	L3	H
10	13	10	60	104	120	180	38
15	19	16	65	104	120	180	38
20	23	20	70	104	120	180	38
25	29	26	80	110	134	190	40
32	35	32	90	110	134	190	40
40	41	38	100	130	154	210	40
50	53	50	115	130	154	210	40
65	70	66	145	160	186	250	45
80	85	81	160	160	186	250	45
100	104	100	180	204	234	300	48



Also available FLOMID-9WIFX (ISO 2037 weld-on connections)

Also available FLOMID-6BFX (BSP connection) and FLOMID-6NFX (NPT connection)

Flow ranges

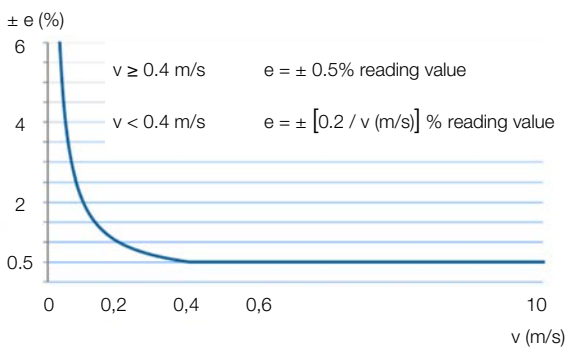
Sensor selection

The diagram shows the correspondence between the liquid velocity and the flow rate for different sensor sizes.

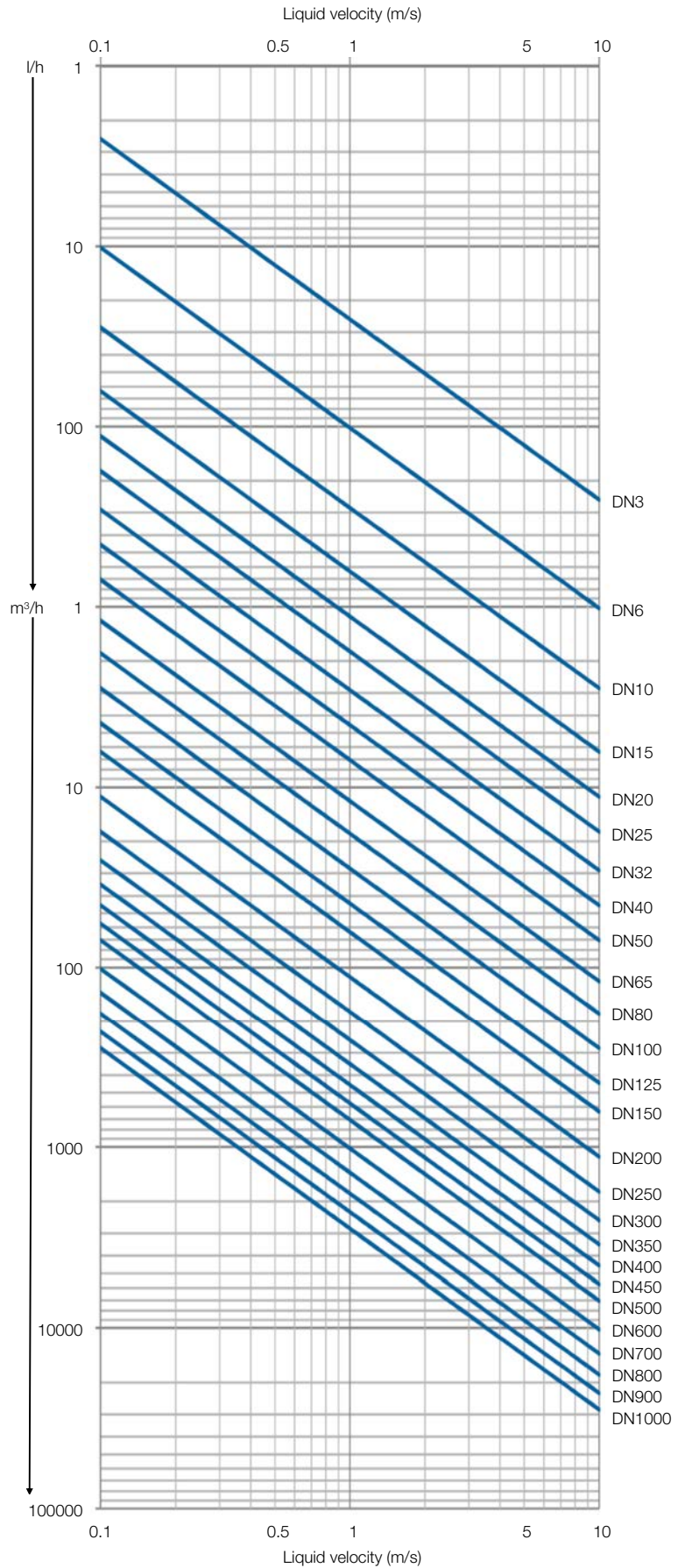
The sensor size should be chosen selecting a liquid velocity of about 3-4 m/s. The minimum liquid velocity should not be below 0.5 m/s.

When the liquid has solids in suspension, it is better to work between 3 and 5 m/s in order to avoid sedimentation in the pipe and sensor.

Accuracy curve (error vs velocity)



FLOMID-0XL with XL1 compact converter



Electromagnetic flowmeters

Series FLOMID

Electronic converters

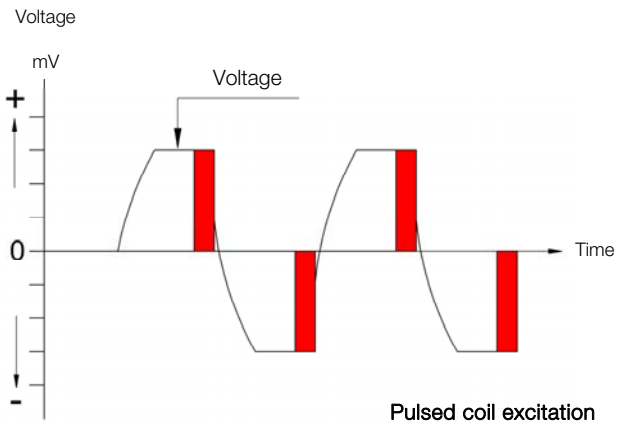
The electronic converters for FLOMID series provide the different options of flow indication, maximum / minimum flow rate alarms, and analog and pulse outputs.

They are compatible with the different sensors:

- FLOMID-FX: converters MX4 and XT5 for either compact or remote mounting (cable is supplied).
- FLOMID-XL: converter XL1 for compact mounting.

HART protocol is available for MX4 and XT5 converters.

MODBUS RTU RS485 protocol is available for MX4 converter.



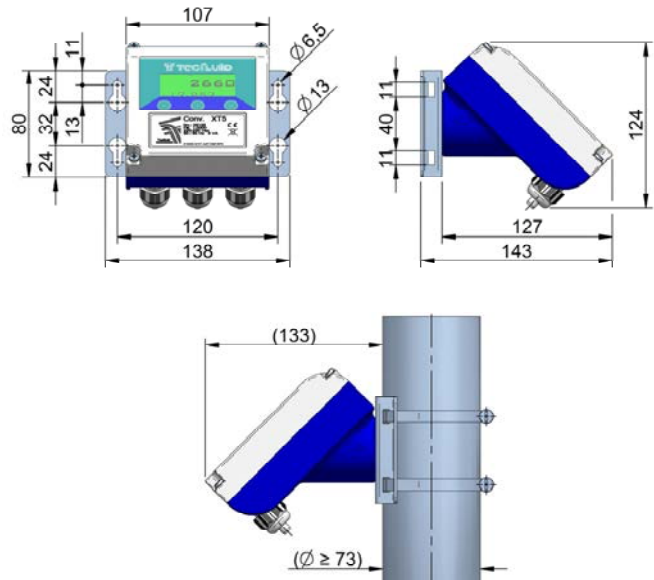
XT5 converter

Technical data



- IP67 polycarbonate enclosure
- Compact or remote mounting
- Programming via front tactile push buttons
- Linearity: $\pm 0.2\%$ f.s.
- Repeatability: $\pm 0.1\%$ f.s.
- Ambient temperature range: $0^{\circ}\text{C} \dots +60^{\circ}\text{C}$
- Power supply: 24, 115, 230, 240 VAC 50 / 60 Hz
24 VDC
- Power consumption: ≤ 5 VA
- Weight: 700 g
- Flow rate indication:
 - No. of digits: 4 (0 to 2 decimal configuration)
 - Digit size: 5 mm
- Volume totalizer:
 - No. of digits: 7 (2 decimal)
 - Digit size: 8 mm
 - Reset button
- Analog output: 4-20 mA, active or passive, programmable measuring units
- Pulse output: optoisolated:
 - V_{max} : 30 VDC ; I_{max} : 30 mA
 - Maximum frequency in "P/U" mode: 6.25 Hz
 - Frequency in "Hz" mode: 0.04 ... 5000 Hz
- Empty pipe detection
- Flow rate cut off, programmable
- Adaptive flow rate filter: programmable integration time between 0.1 ... 20 seconds
- Zero offset adjustment
- HART protocol with model XT5H. All the features regarding HART communication can be found in the corresponding document "Field Device Specification". Compatible with HART Server Communication software. Also available for remote mounted version XT5HM.

Dimensions remote mounted converter (model XT5M)



XT5 compact converter



XT5M remote converter with wall support



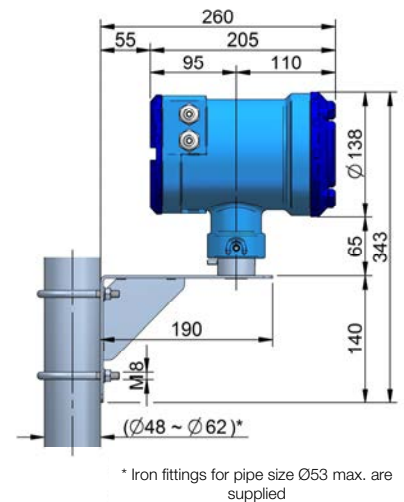
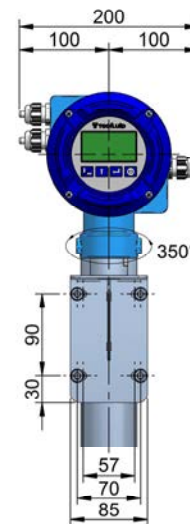
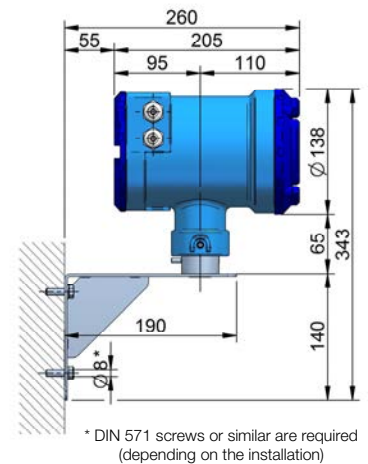
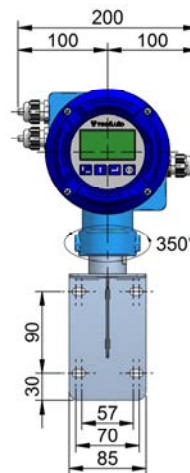
MX4 converter



Technical data

- IP67 coated aluminium enclosure
 - Compact or remote mounting
 - Programming via front push buttons
 - 128 x 64 graphic display
 - Linearity: $\pm 0.2\%$ f.s.
 - Repeatability: $\pm 0.1\%$ f.s.
 - Ambient temperature range: $-20^{\circ}\text{C} \dots +60^{\circ}\text{C}$
 - Power supply: 90 ... 265 VAC 50 / 60 Hz
12 ... 48 VDC
 - Power consumption: ≤ 5 VA
 - Weight: 3.1 kg
 - Flow rate and liquid velocity indication:
 - No. of digits: 5 (0 to 2 decimal configuration)
 - Digit size: 11 mm
 - Volume totalizer:
 - No. of digits: 8 (2 decimal)
 - Digit size: 8 mm
 - Reset button
 - Analog output: 4-20 mA, active or passive, programmable measuring units
 - Pulse output: optoisolated NPN bipolar transistor:
 - V_{max} : 30 VDC ; I_{max} : 30 mA
 - Output frequency: 0.01 ... 5000 Hz
 - Programmable duty cycle
 - Relay outputs: 2 relays with potential free contacts.
 - Contact characteristics:
 - Maximum voltage: 250 VAC
 - Maximum current: 8 A
 - Maximum power: 500 VA
- Programmable as flow rate alarms, empty pipe detection or reversed flow indication
- Empty pipe detection
 - Flow rate cut off, programmable
 - Adaptive flow rate filter: programmable integration time between 0 ... 40 seconds
 - Zero offset adjustment
 - Full diagnosis of the coil current, the differential voltage on the sensor electrodes and the conductivity of the liquid, as well as detection of an electronic failure in the measuring circuit
 - Easy programmable by means of Tecfluid's Winsmeter MX4 software, available for download at www.tecfluid.com
 - MODBUS RTU RS485 protocol with model MX4B
 - HART protocol with model MX4H. All the features regarding HART communication can be found in the corresponding document "Field Device Specification". Compatible with HART Server Communication software. Also available for remote mounted versions.

Dimensions remote mounted converter



MX4 remote converter with wall support



FLOMID-2FX with compact MX4 converter



Electromagnetic flowmeters

Series FLOMID

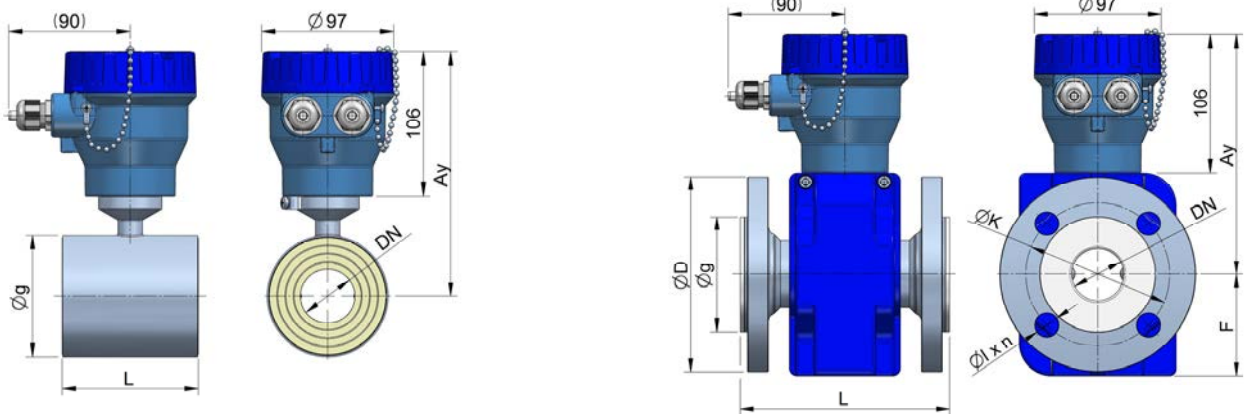
Converter XL1

Technical data

- IP66/IP67 coated aluminium enclosure
- Compact mounting
- Excellent quality/price ratio
- Without display
- Repeatability: $\pm 0.15\%$ measure value ± 0.75 mm/s
- Ambient temperature range: $-20^{\circ}\text{C} \dots +70^{\circ}\text{C}$
- Power supply: 20 ... 30 VDC, 4-wire system
- Consumption: ≤ 5 W
- Weight: 700 g
- Analog output: 4-20 mA, active or passive, programmable measuring units

- Digital output: optoisolated NPN bipolar transistor:
 - V_{max} : 30 VDC ; I_{max} : 30 mA
 - Frequency range: 0.01 ... 5000 Hz
 - Programmable duty cycle
 - Programmable as a pulse or an alarm output (reversed flow direction, empty pipe or flow rate alarm)
- Flow rate cut off, programmable
- Adaptative flow rate filter: programmable integration time between 1 ... 25 seconds
- Zero offset adjustment
- Datalogger, by means of Winsmeter XL1 software in PC
- Easy programmable by means of Tecfluid's Winsmeter XL1 software, available for download at www.tecfluid.com

Dimensions



FLOMID-0XL wafer mounting

DN	NPS	PN (class)	Ay (EN)	Ay (ASME)	Weight (kg)
3	1/2"		158	158	0.6
6	1/2"		158	158	0.6
10	1/2"		158	158	0.6
15	3/4"		161	161	0.7
20	1"		166	166	0.9
25	1 1/4"	16 (150#)	171	171	1.0
32	1 1/2"		177	177	1.1
40	2"		179	179	1.3
50	2 1/2"		189	189	1.6
65	3"		199	199	2.3
80	3 1/2"		205	205	2.6
100	4"	10 (150#)	212	212	3.4

FLOMID-2 ... 4XL flanged mounting

DN	NPS	PN (Class)	Ay (EN)	Ay (ASME)	Weight (kg)
10	1/2"		177	177	2.9
15	1/2"		177	177	2.9
20	3/4"		177	177	3.4
25	1"		177	177	3.9
32	1 1/4"		184	184	5.4
40	1 1/2"	16	184	184	5.9
50	2"	(150#)	211	211	7.4
65	2 1/2"		211	211	8.9
80	3"		211	211	10.9
100	4"		238	238	14.9
125	5"		251	251	16.9
150	6"		266	266	19.9
200	8"		295	295	30.9
250	10"		323	323	44.9
300	12"		340	340	52.9
350	14"	10 (150#)	373	373	61.9
400	16"		390	390	75.9
450	18"		445	445	84.9
500	20"		470	470	97.9



XL1 converter

(All dimensions in mm)

PRESENCE IN MORE THAN 50 COUNTRIES ALL OVER THE WORLD



TECFLUID
The art of measuring

Tecfluid S.A.
Narcís Monturiol 33
08960 Sant Just Desvern
Barcelona
Tel: +34 93 372 45 11
tecfluid@tecfluid.com
www.tecfluid.com

Quality Management System ISO 9001 certified by



Pressure Equipment Directive certified by



ATEX European Directive certified by



HART is a registered trademark of the FieldComm Group™

The technical data described in this specification sheet is subject to modification without notification if the technical innovations in the manufacturing processes so require.
TRI-CLAMP® is a registered trademark of Alfa Laval Inc.