

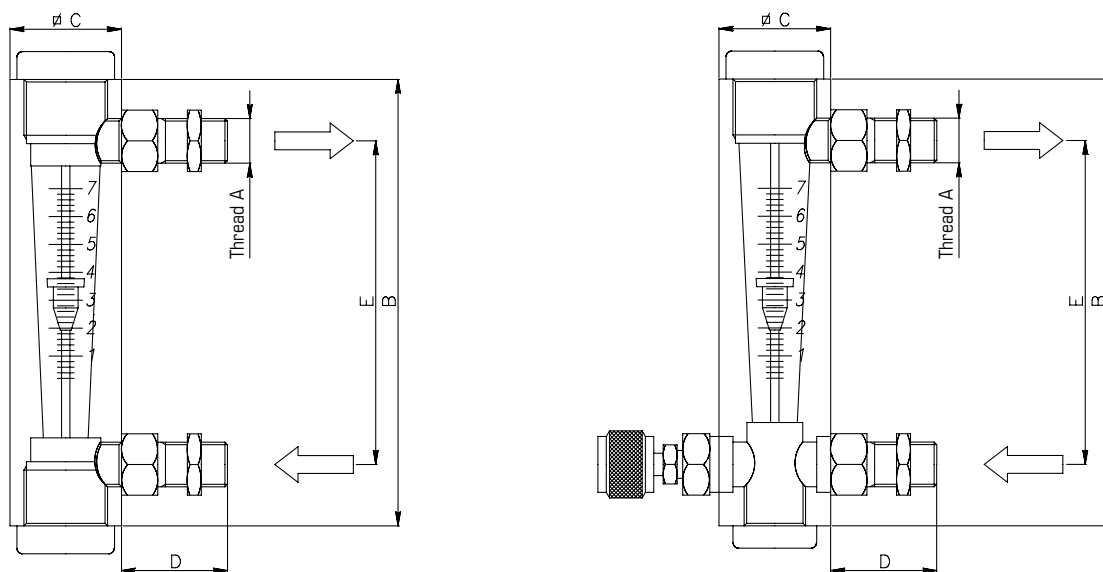
Flow-Teknikk AS

Direct reading flowmeters type RG/S - RG/R

The flowmeters type RG/S-RG/R are instant flow measuring devices, suitable for small and medium flows of liquid and gaseous fluids. The flow measurement can be read with good accuracy on the graduated scale inprinted on the flowmeter body. The measure cone is got directly from the acrylic body. They can be made with threaded and

square connections, with or without needle valve. Another feature, besides the ones already mentioned, is:

- possibility of mounting the flowmeter anywhere along the pipeline without need of straight lines or flow correctors.





Flow-Teknikk AS

FEATURES

Accuracy	± 10% E.O.S.
Working max. pressure	10 bar
Working max. temperature	50° C.
Connections made of chrome-plated brass or of AISI 316	

ACCESSORIES

- Outlet adjusting needle valve (only for construction type RG 1/L/R)
- Connections for tubing

TYPE	AIR Maximum flow Nm ³ /h 1013 mbar	WATER Maximum flow L/h	THREAD A	B	C	D	E
RG 1/S	10	600	G 3/8" - G 1/2"	133	35	38	95
RG 1/L/S	10	600	G 3/8" - G 1/2"	200	40	38	140
RG 2/S	25	2000	G 3/8" - G 1/2"	160	40	38	116,5
RG 3/S	40	4000	G 3/4" - G 1"	190	45	40	120
RG 3/L/S	40	4000	G 3/4" - G 1"	219	60	40	161
RG 1/R	10	600	G 3/8" - G 1/2"	145	35	38	110
RG 1/L/R	10	600	G 3/8" - G 1/2"	200	40	38	153,5
RG 2/R	25	2000	G 3/8" - G 1/2"	160	45	38	121