

Technical Datasheet



ZHM HP Series

Gear Flow Meters for
High Pressure Applications
with Autoclave connections

Gear Flow Meters – ZHM HP Series

Overview

With more than 50 years of experience in the flow measurement field and numerous innovative and customer-specific product developments, we are a qualified and competent contact for flow measuring technology and calibration. KEM offers a broad selection of measuring principles for this purpose. We develop, produce, and deliver high quality Gear Flow Meters, Turbine Flow Meters, Helical Flow Meters and Micro Flow Meters as well as Coriolis Mass Flow Meters worldwide. Specific accessories complement the product range.

This document provides information, technical details and typical applications concerning the ZHM HP Gear Flow Meter Series.

Series	Application	Process Medium	Attributes
ZHM ST	Flow measurement	Polyol + isocyanat, glue, epoxy resins Abrasive, less lubricating Medium/high viscosity	Stainless steel body Tungsten carbide sleeve bearing Bigger tolerances
ZHM KL	Filling processes	Lubricants, oils, grease Lubricating Medium/high viscosity	Stainless steel body Stainless steel ball bearing Bigger tolerances
ZHM MK	Dosing & consumption	Diesel, Skydrol, AdBlue, odorant (Less) lubricating Low viscosity	Stainless steel body Stainless steel ball bearing Small tolerances
ZHA KL	Test bed monitoring (Hydraulics)	Hydraulic fluid, ATF Lubricating Medium viscosity	Aluminum body Stainless steel ball bearing Bigger tolerances
ZHM CT	Dosage control (Paint shops)	Paints, waxes, amine Less lubricating Medium viscosity	Stainless steel body Tungsten carbide sleeve bearing Ball bearing (optional)
ZHM HP	Flow measurement (High Pressure)	Lubricants, coolant, inhibitors Abrasive, less lubricating Medium/high viscosity	Stainless steel body Stainless steel ball bearing Tungsten carbide sleeve bearing (optional)

Please contact KEM Sales for additional information on our Flow Meters or for advisory purposes related to your individual application needs. For KEM Sales contact details see the document's last page.



Description

The ZHM HP gear flow meter series (high pressure design) are flow meters which are mainly used in lubrication and non-lubrication liquids. They are equally suitable for filled, viscous and abrasive media.

Only high-grade steels that even withstand corrosive liquids are used in the production of gear flow meters. Combined with the use of tungsten carbide bearings, the ZHM HP guarantees optimum measurement accuracy and a long service life under even the toughest application conditions. The extremely robust design, special surface coatings and the use of high-pressure connections allow the use in extreme applications and at very high operating pressures. The ball bearing facilitates a very low starting torque of the measuring element. This way even the lowest flow rates at low viscosities can be accurately measured.

The combination of various gear dimensions and modules allows a wide range of sizes that can cover a huge measuring range. This makes the ZHM HP ideal for a variety of applications in the field of metering as well as for injection and dosing.

Short response times, very dynamic performance and high measurement accuracy ensure accurate regulation and control of flow rates in demanding applications.

For applications in hazardous areas, we offer intrinsically safe sensors and amplifiers with Ex protection in accordance with ATEX, IECEx, CSA and other standards. Additional certifications such as EAC (TR-CU) are available.

Principle and Design

Gear flow meters (ZHM) are positive displacement meters. Two precise gears rotate freely inside the measuring chamber.

Sealed cavities are created between the gears and the housing. The measured media causes the rotation of the gears. The flowing medium is distributed evenly in the measuring chamber and causes the rotation of the gears. The gear wheels rotate freely and undamped in the media flow. Their rotational frequency is proportional to the flow rate and is measured by non-intrusive sensors (pickups) through the housing wall. The sensor system can be variably adjusted to meet the requirements of the application.

Pulses per unit of volume are available for analysis. The calibration factor (K-factor) of the flow meter describes the exact pulse rate per unit of volume. In order to determine the individual calibration factor of a flow meter, we calibrate each of our meters in house prior to delivery. The operating viscosity specified by the customer is taken into account for calibration. A corresponding calibration certificate is included with every flow meter we supply.

These meters are suitable for accurate measurement of different liquids with viscosities of approximately 1 to 25,000 mm²/s.

Thanks to a high output frequency, excellent resolution and short response times, our gear flow meters are outstanding for measuring pulsing flows, for consumption measurement and for dosing of liquids.

Applications

- Hydraulic fluids
- Water hydraulics
- Corrosion protection additives
- Demulsifiers
- DRA (Drag Reducer Additives)
- Water hydraulics additives
- Other additives
- Preservatives

Features

- High measuring accuracy up to $\pm 0.1\%$ ¹⁾
- Exceptional repeatability of $\pm 0.05\%$
- Measuring range up to 1:400
- Short response times
- Pressure-resistant up to 1,035 bar [15,000 psi]
- Medium temperature up to 180 °C [356 °F]
- Robust construction and long lifetime

¹⁾ Under laboratory conditions; incl. linearization; viscosity ≥ 30 mm²/s.

Gear Flow Meters – ZHM HP Series

Technical Data – Sizes

ZHM Type ²⁾	Measuring Range (l/min)	K-Factor ³⁾ (pulses/l)	max. Pressure (bar/psi)	Frequency ³⁾ (Hz)	Weight (kg)
ZHM 01/1	0.005 up to 2.0	26,500	1,035 [15,000]	2.2 up to 880	3.4
ZHM 01/2	0.02 up to 3.0	14,000	1,035 [15,000]	4.6 up to 700	3.4
ZHM 02	0.1 up to 7.0	4,200	1,035 [15,000]	7 up to 490	3.4
ZHM 03	0.5 up to 25.0	1,740	690 [10,000]	14 up to 730	3.9
ZHM 04 ⁴⁾	0.5 up to 75.0	475	520 [7,500]	4 up to 560	11.1

Technical Data – General

Measuring Accuracy	Up to ± 0.1 % ⁵⁾
Repeatability	± 0.05 % (under the same conditions)
Linearity	± 0.5 % of actual flow (viscosity ≥ 30 mm ² /s)
Materials	Housing: as per DIN 1.4404 [AISI 316L] Gears: as per DIN 1.4122, 1.4501 [AISI F55] Bearing: Stainless steel ball bearing Tungsten carbide sleeve bearing Seals: FKM, FFKM
Medium Temperature	-40 °C up to +180 °C [-40 °F up to +356 °F] (others on request)
Dimensions	See dimensional drawing (page 5 to 6)



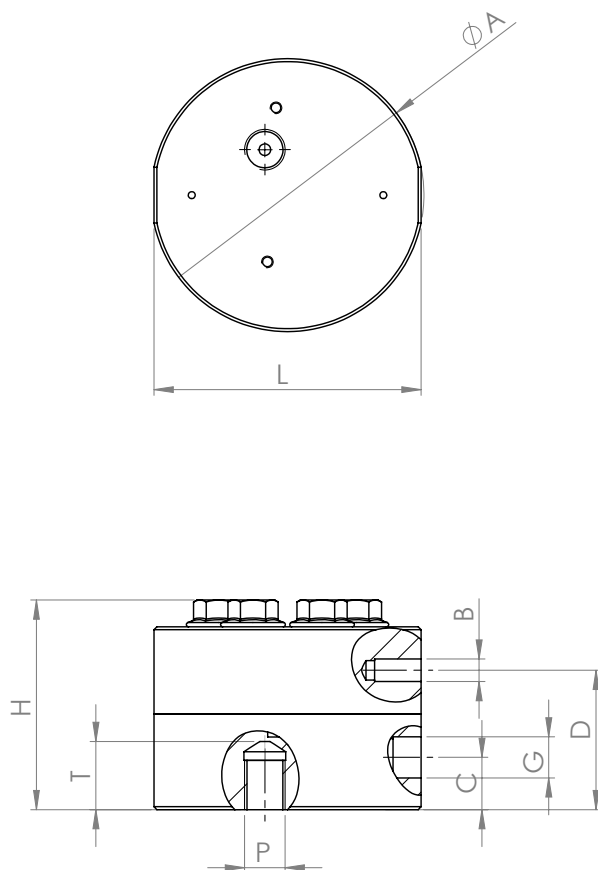
²⁾ Exact type designation see ordering code (page 7).

³⁾ Average values for single sensors.

⁴⁾ ZHM 04 with bolts ISO 4762, uncoated.

⁵⁾ Under laboratory conditions; incl. linearization; viscosity ≥ 30 mm²/s

Dimensional Drawing – ZHM 01/1 to 03



ZHM Type	Ø A	B	C	D	G ⁶⁾	H	L	P ⁷⁾	T ⁷⁾	Autoclave
ZHM 01/1	94 mm [3.70 in]	M8 ↓ 16	18 mm [0.71 in]	48 mm [1.89 in]	UNF 9/16"	72 mm [2.83 in]	92 mm [3.62 in]	H/B/Z	27.5 mm [1.08 in]	SF375CX20 (for 3/8" tube)
ZHM 01/2	94 mm [3.70 in]	M8 ↓ 16	18 mm [0.71 in]	48 mm [1.89 in]	UNF 9/16"	72 mm [2.83 in]	92 mm [3.62 in]	H/B/Z	23.5 mm [0.93 in]	SF375CX20 (for 3/8" tube)
ZHM 02	94 mm [3.70 in]	M8 ↓ 16	18 mm [0.71 in]	48 mm [1.89 in]	UNF 9/16"	72 mm [2.83 in]	92 mm [3.62 in]	H/B/Z	23.5 mm [0.93 in]	SF375CX20 (for 3/8" tube)
ZHM 03	94 mm [3.70 in]	M8 ↓ 16	18 mm [0.71 in]	60 mm [2.36 in]	UNF 9/16"	84 mm [3.31 in]	92 mm [3.62 in]	H/B/Z	23.5 mm [0.93 in]	SF375CX20 (for 3/8" tube)

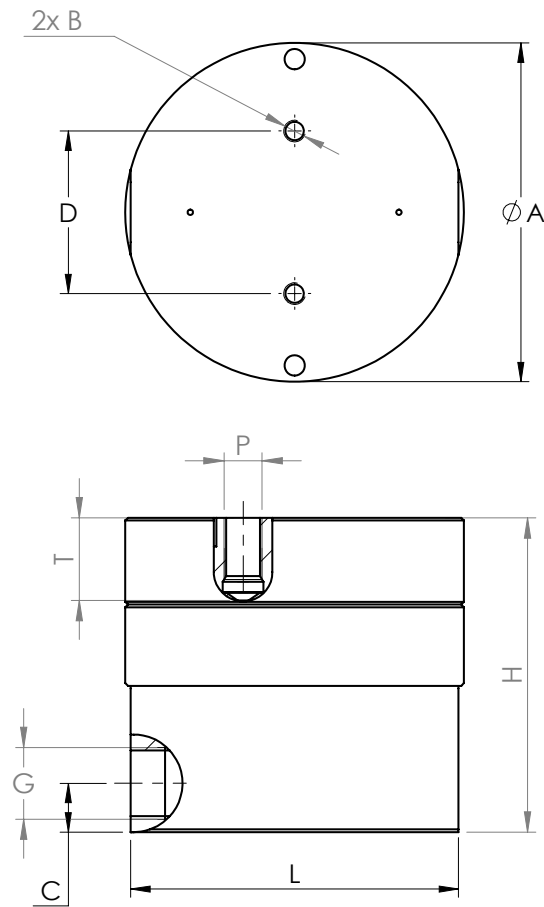
⁶⁾ Corresponds to Autoclave connection size: SF375CX20.

⁷⁾ Only applies for single pickup holes of type „R“.

Attention: the total installation height is the result of the height (H) and the height of the electronics (dimensions in separate datasheet).

Gear Flow Meters – ZHM HP Series

Dimensional Drawing – ZHM 04



ZHM Type	Ø A	B	C	D	G ⁸⁾	H	L	P ⁹⁾	T ⁹⁾	Autoclave
ZHM 04	125 mm [4.92 in]	M8 ∇ 16	18 mm [0.71 in]	60 mm [2.36 in]	¾" 14 NPS	116 mm [4.57 in]	121 mm [4.76 in]	H/B/Z	30.5 mm [1.20 in]	SF750CX20 (for ¾" tube)

⁸⁾ Corresponds to Autoclave connection size: SF375CX20.

⁹⁾ Only applies for single pickup holes of type „R“.

Attention: the total installation height is the result of the height (H) and the height of the electronics (dimensions in separate datasheet).

Ordering Code

				ZHM	-	XX	-	XX	-	X	-	X	-	XXX	
Measuring Range															
0,005 - 2,0 l/min ¹⁰⁾						01		1							
0.02 - 3.0 l/min						01		2							
0.1 - 7.0 l/min						02									
0.5 - 25.0 l/min						03									
0.5 - 75.0 l/min						04									
Meter Attributes															
<i>Housing</i>	<i>Gears</i>	<i>Bearing</i>	<i>Thread</i>												
1.4404 [AISI 316L]	1.4122	ball bearing	AEMP ¹¹⁾											HP	
1.4404 [AISI 316L]	1.4122	sleeve bearing	AEMP ¹¹⁾											HC	
1.4404 [AISI 316L]	1.4501 [AISI F55]	sleeve bearing	AEMP ¹¹⁾											HS	
Sensor Ports															
2x M14x1,5														H	
M14x1,5 6H ExD														Z	
3/8" NPT ExD														B	
Sealing Options															
FKM (Viton®)															V
FFKM (Isolast®)															I
Bolt Options															
Inconel-718 (salty/harsh environment)															INC

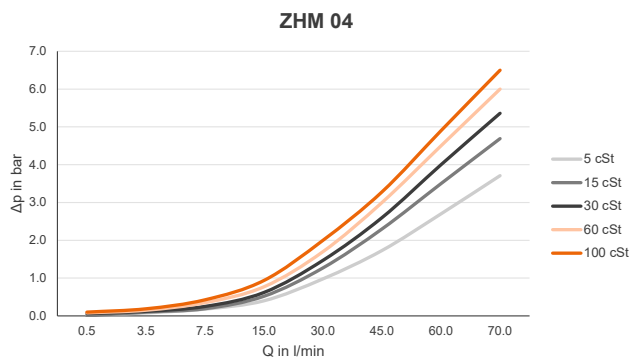
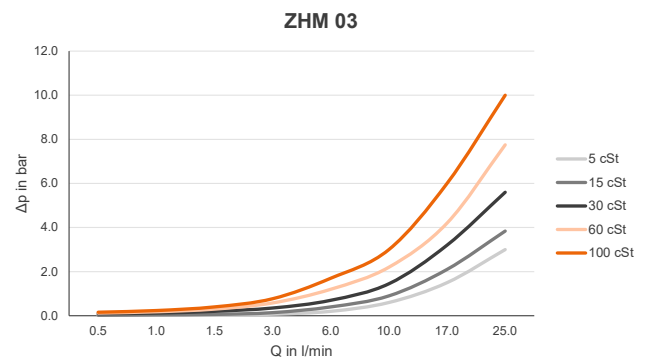
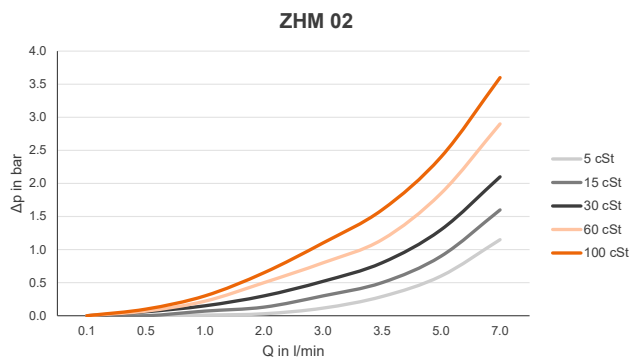
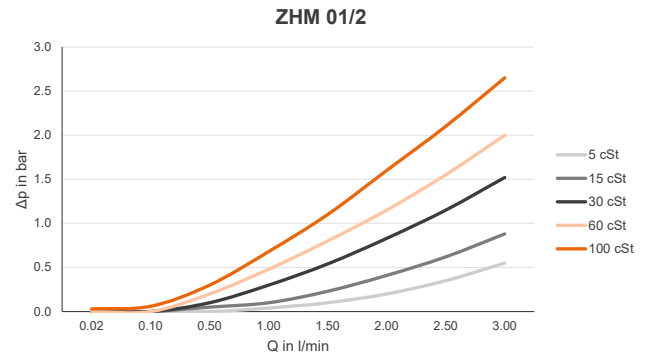
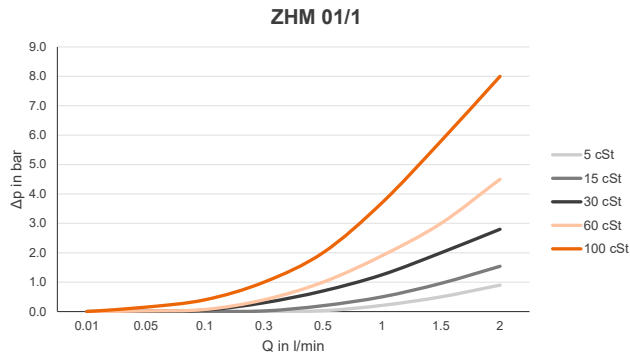


¹⁰⁾ Stainless steel ball bearing not available.

¹¹⁾ Autoclave Engineers medium pressure fitting.

Gear Flow Meters – ZHM HP Series

Pressure Drop Curves



Calibration

In-house calibration is performed on volumetric calibration rigs or in our DAkkS calibration laboratory, depending on the needs of the client.

The KEM calibration lab uses a high-precision load cell system. With an accuracy of 0.05 % for the mass and 0.1 % for the volume of flowing liquids, we occupy a leading position worldwide. The German Accreditation Body (DAkkS) has accredited the laboratory engineers, processes and measuring equipment in accordance with the international standard DIN EN ISO/IEC 17025:2018.

The KEM calibration certificate not only verifies the accuracy of a flow meter, but also guarantees its traceability to national standards ensuring all requirements according to international quality standards are met.

The calibrations are performed with different hydrocarbons. This ensures the optimum simulation of changing operating conditions in density and viscosity even when temperatures change. This way the primary viscosity for the use of the flow meter can be specifically taken into account when viscosity fluctuations occur in a customised application.

The calibration result is the specified calibration factor (K-factor) in pulses per litre. This K-factor accordingly applies only at a certain flow velocity or a certain flow rate.

The calibration factor varies only very slightly at different volume flow rates. The individual measuring points provide the calibration curve of the flow meter from which the average K-factor is determined. The average calibration factor applies to the entire measuring range.

The linearity specification (percent deviation) refers to the average K-factor. To further increase the measurement accuracy in onsite use, the specific K-factors can be used to calculate the flow rate. For this, KEM also supplies optional special electronics.

Calculation of volume flow

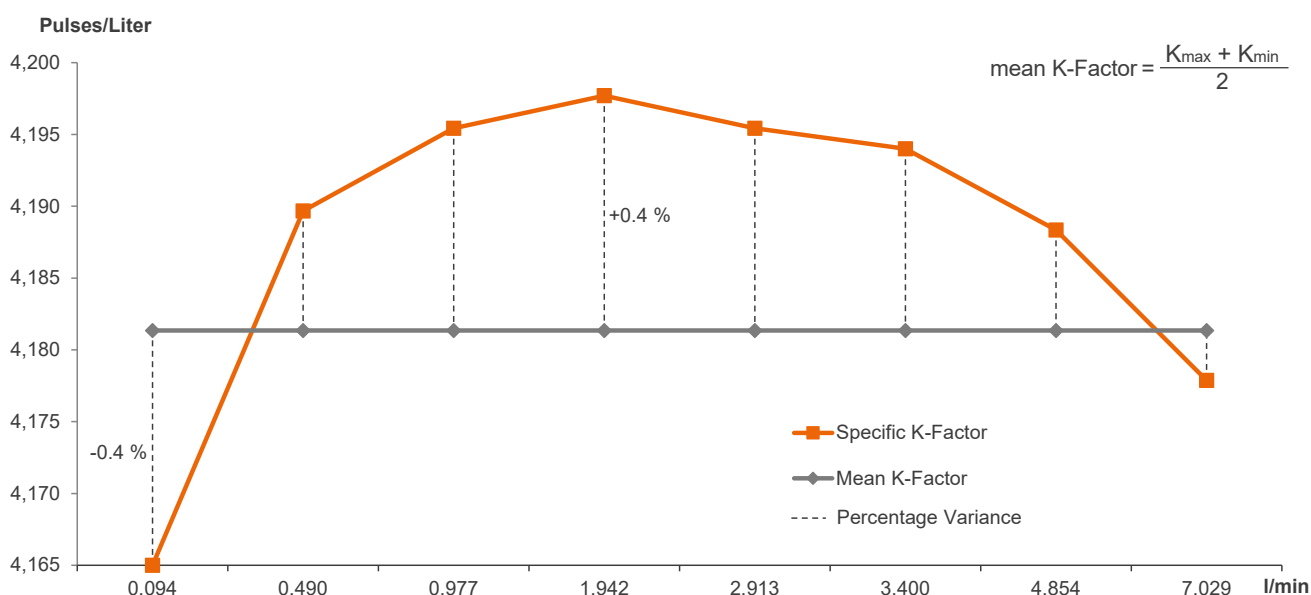
The flow is directly dependent on the measured frequency and the associated calibration factor:

$$Q = \frac{f \cdot 60}{K} \text{ l/min}$$

- Q = Volume Flow
- f = Measuring frequency
- K = Specific K-Factor

Calibration protocol

Example: ZHM 02 HP (0.1 to 7 l/min)





KEM Headquarters

Liebigstraße 5
85757 Karlsfeld
Germany

T. +49 8131 59391-0
F. +49 8131 92604
info@kem-kueppers.com

KEM Manufacturing Center

Wetzeller Straße 22
93444 Bad Kötzing
Germany

T. +49 9941 9423-0
F. +49 9941 9423-23
production@kem-kueppers.com

KEM Sales

Liebigstraße 5
85757 Karlsfeld
Germany

T. +49 8131 59391-100
F. +49 8131 92604
sales@kem-kueppers.com

KEM Service & Repairs

Wetzeller Straße 22
93444 Bad Kötzing
Germany

T. +49 9941 9423-37
F. +49 9941 9423-24
service@kem-kueppers.com

*More distributors & partners can be found at:
www.kem-kueppers.com*