



E-8000 Series

Digital Readout / Control Systems



Bronkhorst®

› Single and Dual Channel Modules

Bronkhorst High-Tech B.V., manufacturers of advanced mass flow metering and control systems, offer digital Readout/Control Modules for use with digital Mass Flow Meters/Controllers, Pressure Meters/ Controllers and other transmitters and transducers with RS232 communication. The E-8000 Series have one or two colour TFT displays per module for indication of measured/totalised values and a push button menu to easily enable the user to change the setpoint, reset the counter value, select other fluids and many functions more.

› Multi Channel Configurations

Based on the modular technique of the E-8000 series, it is easy to assemble multi channel configurations in ½ 19" and 19" housings, either for rack mount or table top. The exact number of channels to be served with one (½ 19") or two (19") power supplies, depends on the type of instruments (meters/controllers) to be connected. For most applications one power supply can serve at least four channels.

› CEM, Ex-Protected and PID controller configurations

For Controlled Evaporation Mixing (CEM) systems a single channel module for temperature control can be integrated into a 1-channel cassette and ½ 19" or 19" housings. Also for Ex-Protected instruments and configurations with third party sensors or actuators requiring a PID controller, Bronkhorst developed dedicated modules. These modules are all available with or without display and with various fieldbus options.

› Features

- ◆ Bright, wide angle, 1,8" display (TFT technology)
- ◆ User friendly operation, menu driven with 4 push buttons
- ◆ Indication/operation/configuration of
 - ◆ measured value (direct or %)
 - ◆ setpoint
 - ◆ totalised flow
 - ◆ fluid / tag number
 - ◆ control characteristics
 - ◆ fieldbus settings
 - ◆ alarm functions (min/max, response, counter)
 - ◆ fluid selection (up to 8 fluids/curves stored in MFM/MFC)

› Specifications

Mechanical:

- ◆ 1- or 2-channel table top housing (1 module)
- ◆ 1- or 2-channel cassette for panel mounting (1 module)
- ◆ ½ 19" table top housing (max. 3 modules)
- ◆ ½ 19" rack housing (max. 3 modules)
- ◆ 19" table top housing (max. 6 modules)
- ◆ 19" rack housing (max. 6 modules)
- ◆ As an option, ½ 19" and 19" housings can be supply with front handles or carrying handles
- ◆ An overview of the dimensions can be found on the last page

Electrical:

- ◆ Mains voltage 100...240 Vac (50...60 Hz)
- ◆ Output signal/setpoint signal: Digital: FLOW-BUS (RS-485) or RS-232
- ◆ Option for CEM, Ex-Protection and PID controller modules: PROFIBUS DP, PROFINET, DeviceNet™, Modbus or EtherCAT® interface
- ◆ Subminiature D-connector socket for RS-232 instrument connection
- ◆ RJ45-connection for connection with FLOW-BUS communication
- ◆ Power Supply capacity +24 Vdc, 1,25 A (30 W)

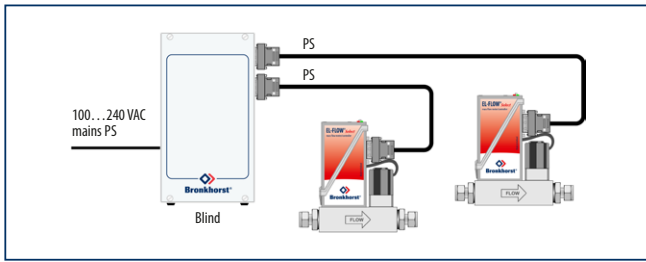


2-channel table top housing

› Examples of typical configurations

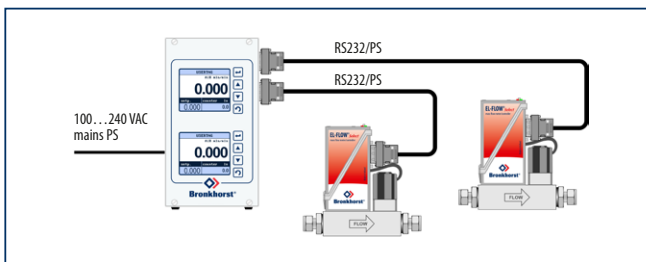
Blind power supply

By means of a blind power supply module one or two instruments can be powered (total power consumption max. 30 W). The model key for this typical example is E-8501-0-0A



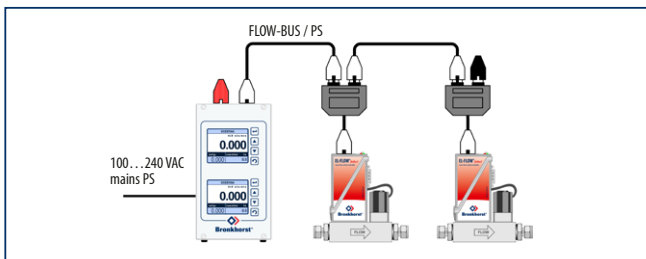
Instrument terminal

Via RS232 one or two instruments can be hooked up per module. The model key for this typical example is E-8501-0-2A

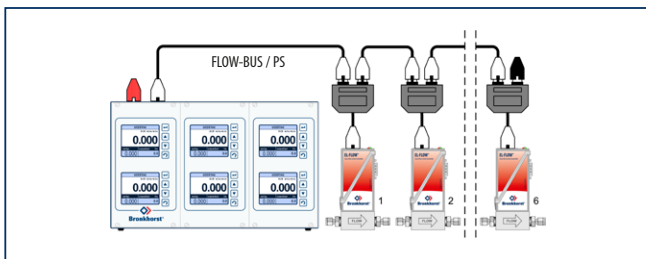


FLOW-BUS terminal

FLOW-BUS is a field bus, designed by Bronkhorst, based on RS485 technology, for digital communication between digital devices, offering the possibility of host-control by PC or digital R/C-module (E-8000 or BRIGHT). Below example shows two instruments with integrated FLOW-BUS interface in a bus configuration with an E-8000 module. The model key for this typical example is E-8501-R-20



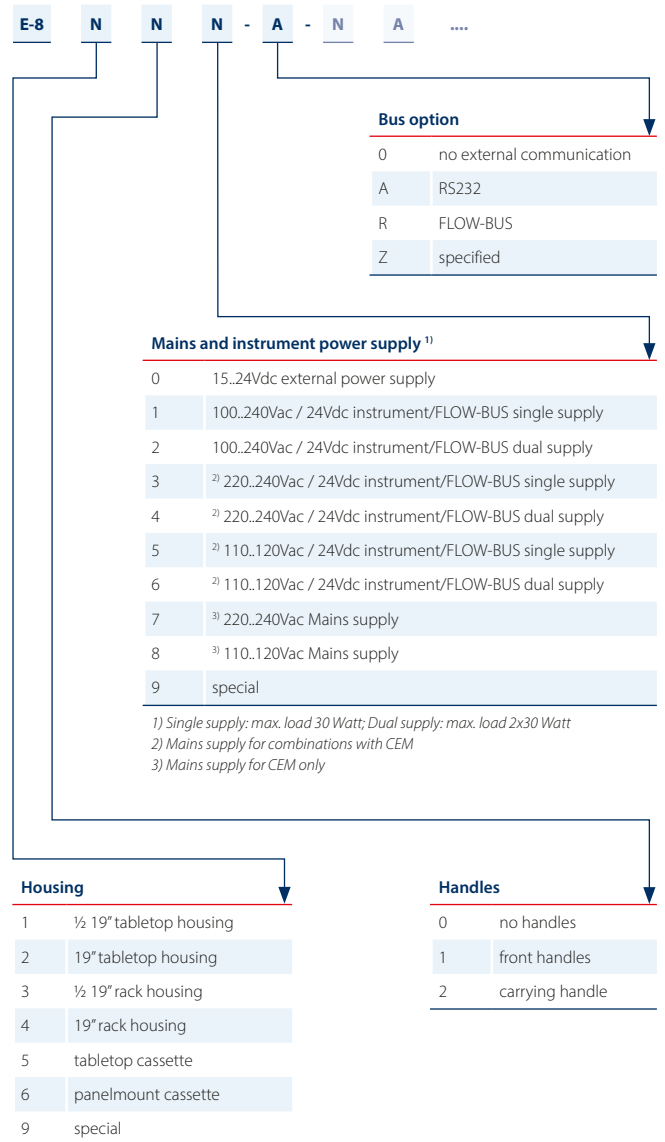
Below you will find a FLOW-BUS set-up with 6 Mass Flow Meters. The model key for this example is E-8101-R-20-20-20



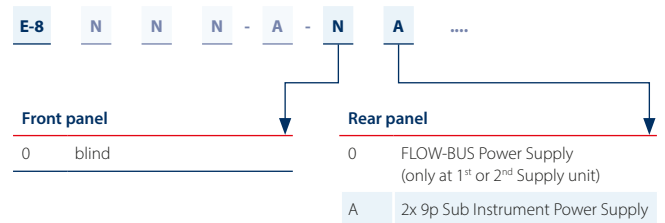
Alternatively only one display can be used to readout these instrument sequentially; model key for this option is E-8101-R-10-00-00

› Model number identification

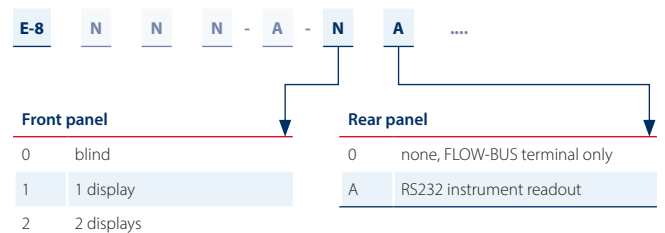
I) Model key housing, mains supply and bus options



II) Model key power supply modules



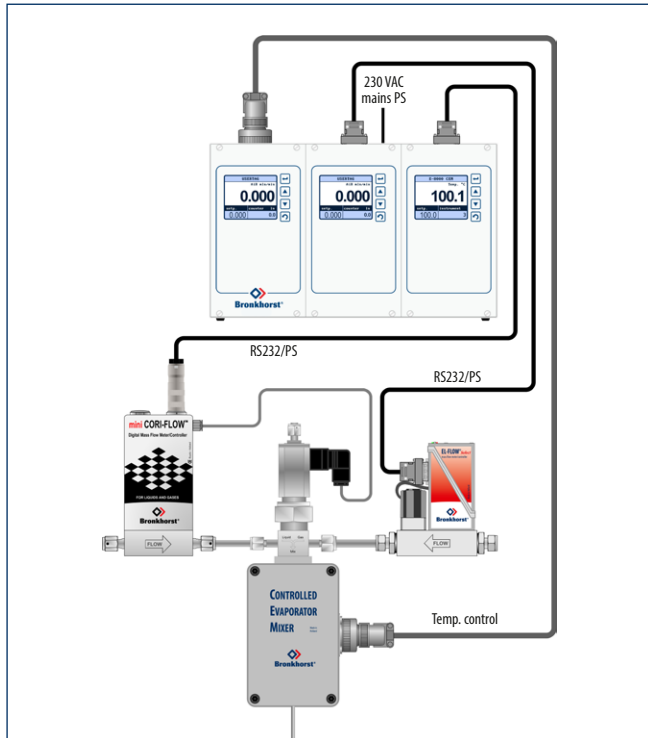
III) Model key readout/control modules



► Examples of typical CEM configurations

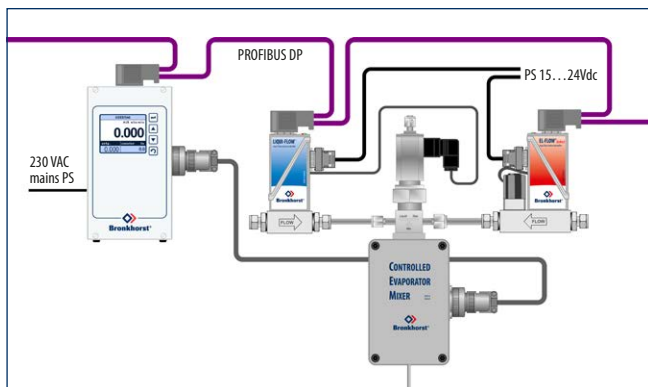
CEM-System, RS232 set-up

The following hook-up drawing illustrates a typical example of a stand-alone Controlled Evaporation Mixing (CEM) system, consisting of a Mass Flow Meter for liquid (e.g. a precursor or water used for humidification purposes), a Mass Flow Controller for carrier gas and a mixing device with subsequent heater element. The E-8000 unit powers the three devices and communicates via RS232. Model number for this example is E-8103-0-1WATU-1A-1A



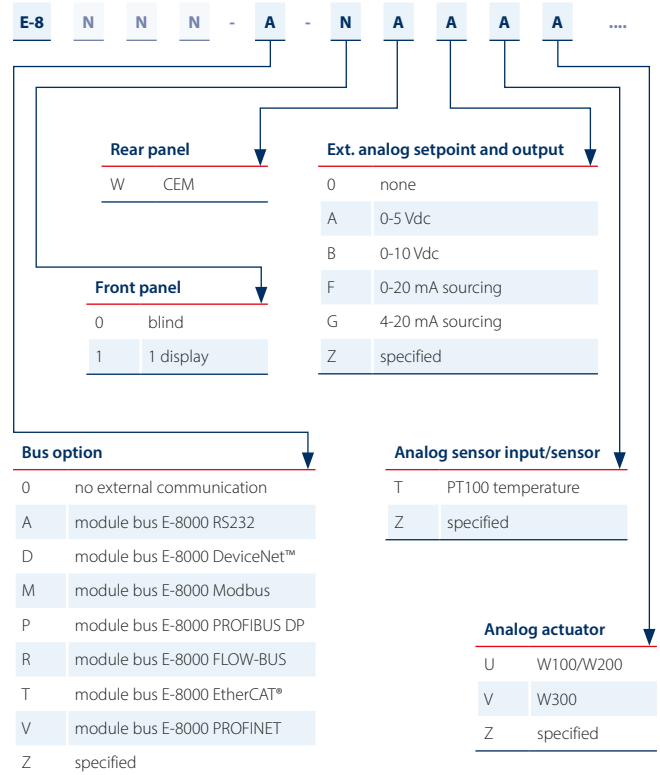
CEM-System, fieldbus set-up

When the Controlled Evaporation Mixing (CEM) system should be part of a fieldbus system, the set-up may be arranged as in below drawing, where the devices are hook-up to a PROFIBUS network. Model number for the PS/Readout in this illustration is E-8507-P-1WATU



IV) Model key CEM

(Controlled Evaporation Mixing) modules



Fieldbus connections for CEM temperature control, Ex-Protection and PID controller modules.

› E-8000 for Ex-Protected instruments

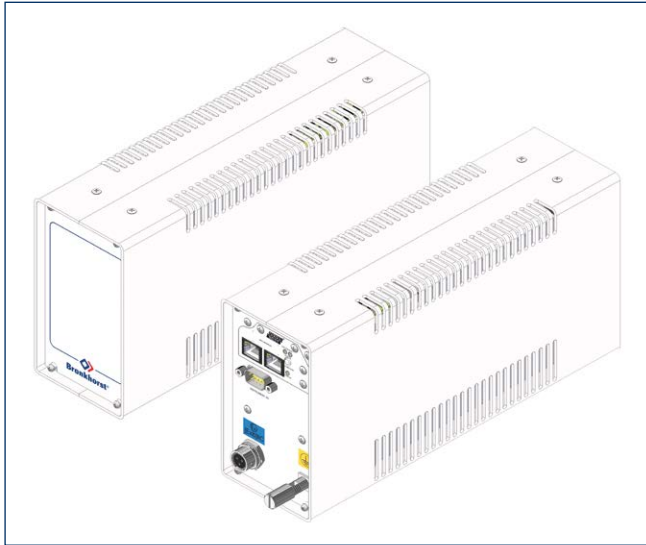
For applications with Ex-Protected instruments the set-up is the same. The Ex-Protected module (X) contains a barrier to separate the intrinsic safe signals from the safe zone and can be combined with additional functionality to control an XB-valve (R) or an XC-valve (S). With the digital fieldbus it is also possible to add the Ex-Protected module as a slave in a digital network.

Technical specifications

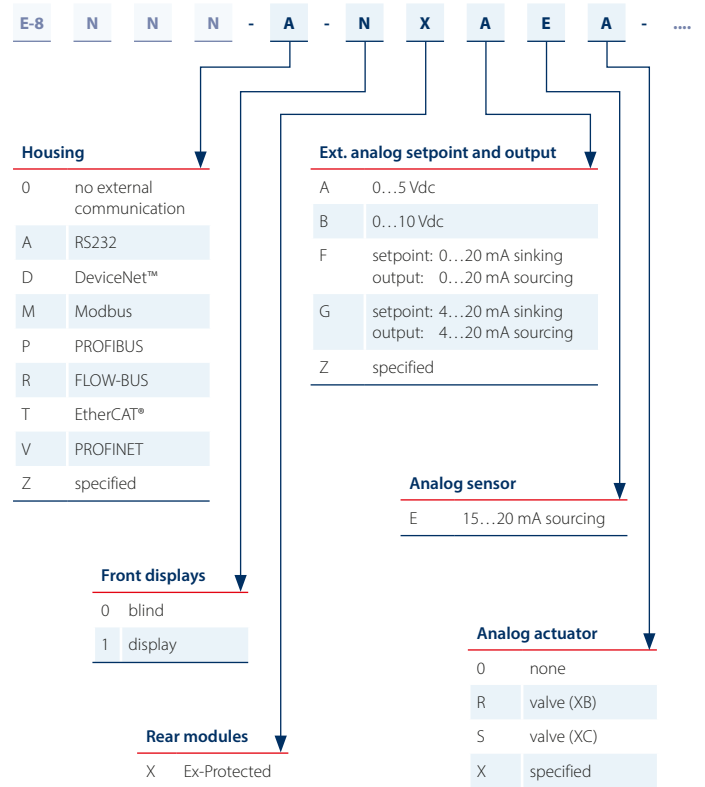
- ◆ Same set up as E-8000 (CEM)
- ◆ Additional character for Ex-Protection and actuator

Example E-8500-V-0XAE0

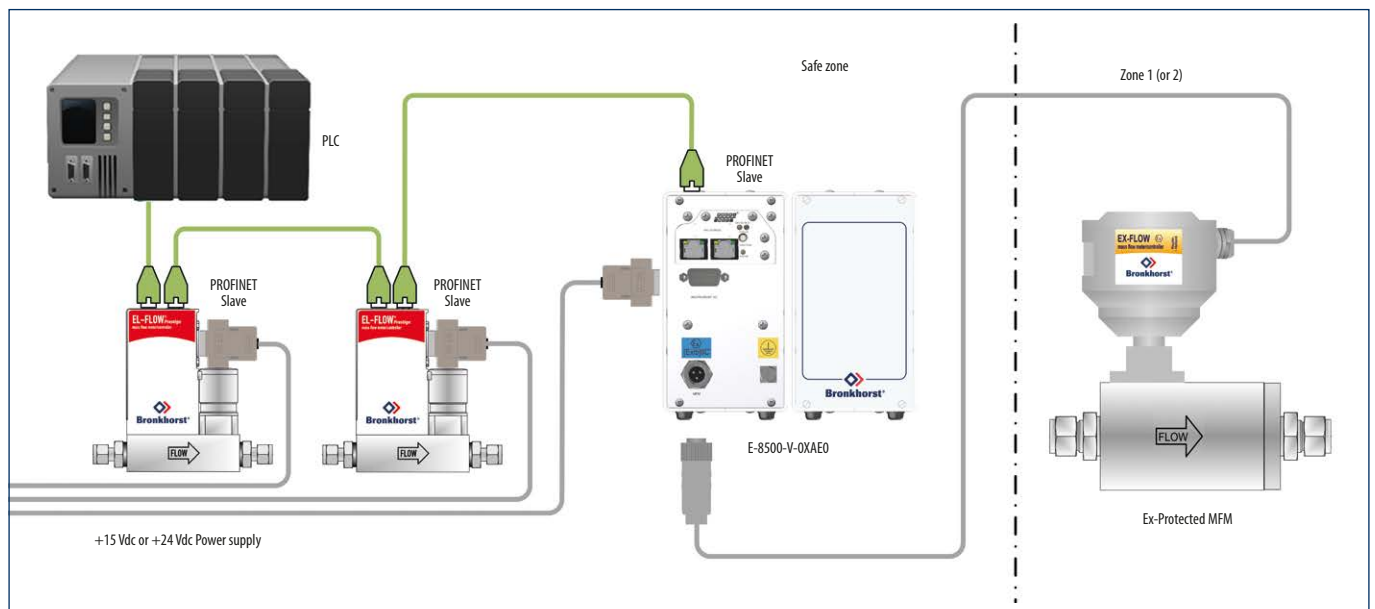
Single cassette, no power supply, PROFINET, no display, Ex-Protected MFM, 0...5 Vdc output, 15...20 mA sourcing sensor input, no actuator.



V) Model key Ex-Protected modules



Hook-up example



> E-8000 with PID controller

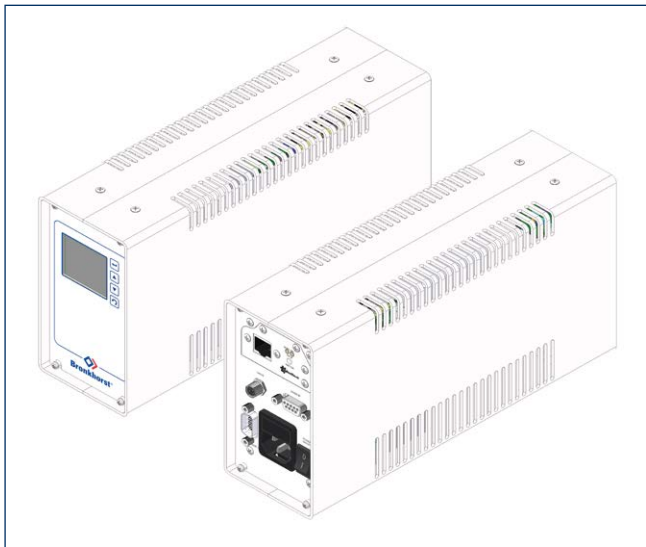
For applications with external sensors and external actuators you can select a module with an integrated PID controller. It combines excellent PID control with the possibility to connect third party sensors and third party actuators. In the modelkey all the different signal possibilities shown. The available sensor and actuator options are shown in the model key.

Technical specifications

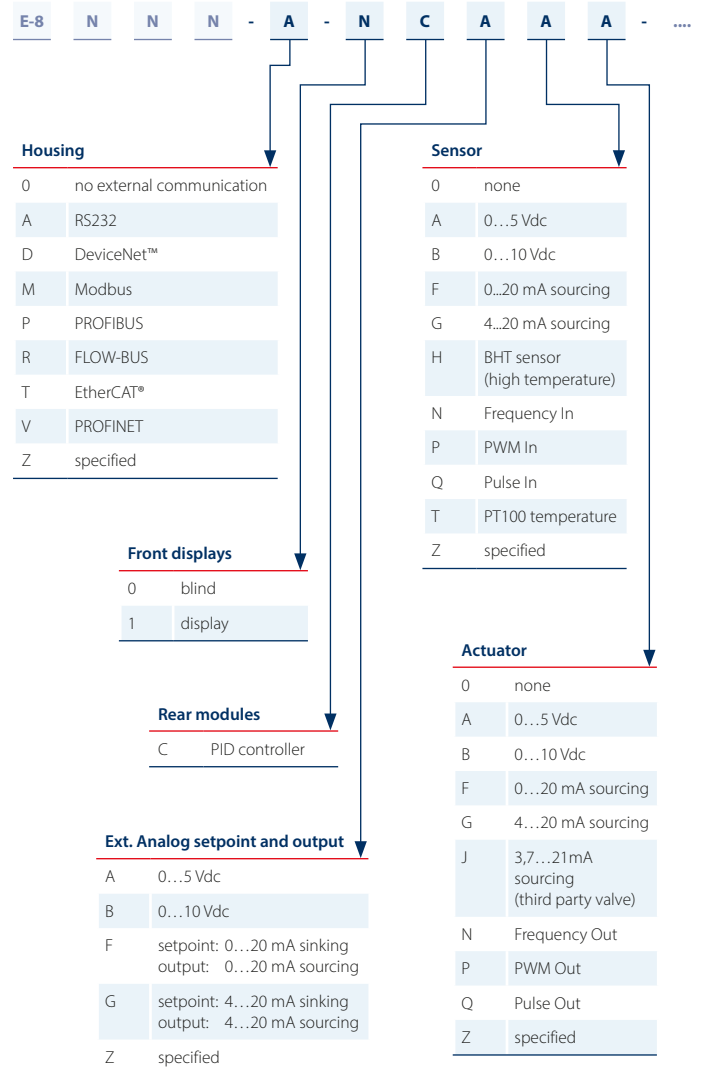
- ◆ Same set up as E-8000 (CEM)
- ◆ Additional characters for PID (C), sensor input, actuator

Example E-8501-M-1CABJ

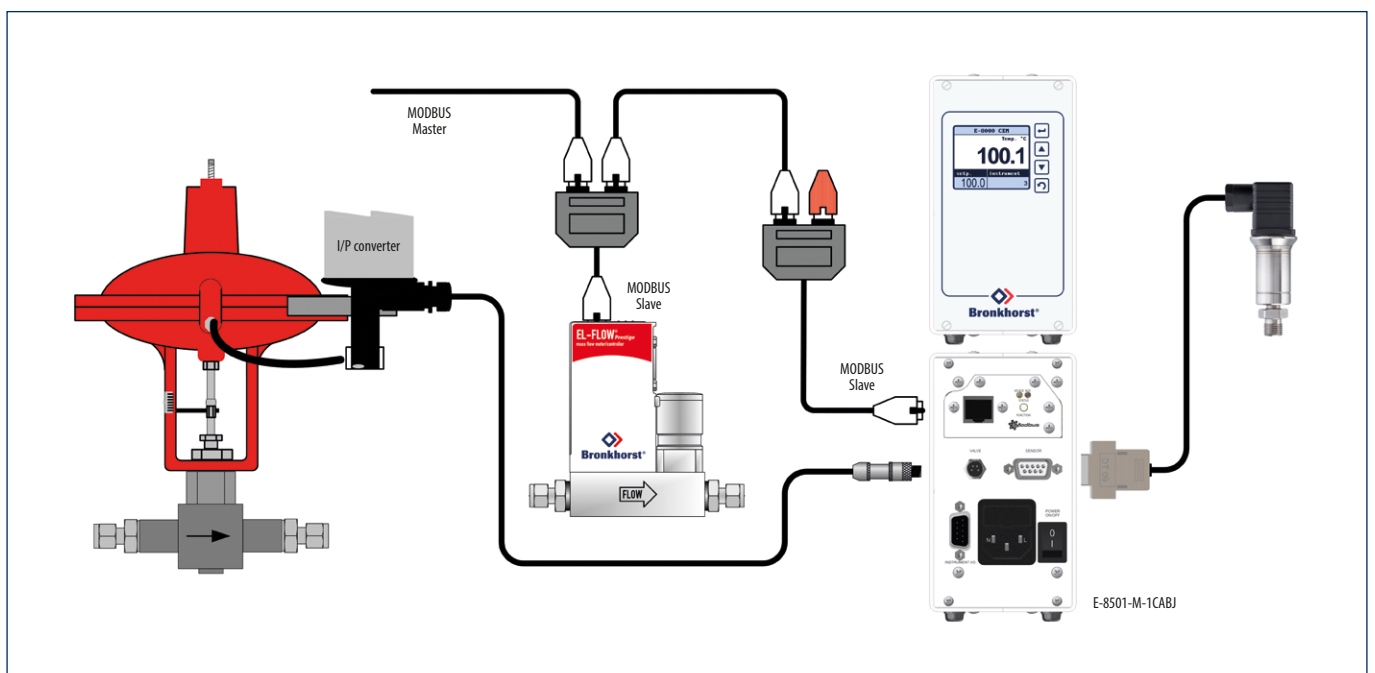
Single cassette, power supply, MODBUS, with one display, PID controller 0...5 Vdc setpoint and output, 0...10 Vdc sensor input, 3,6...21 mA (Third party actuator).



> V) Model key PID controller modules

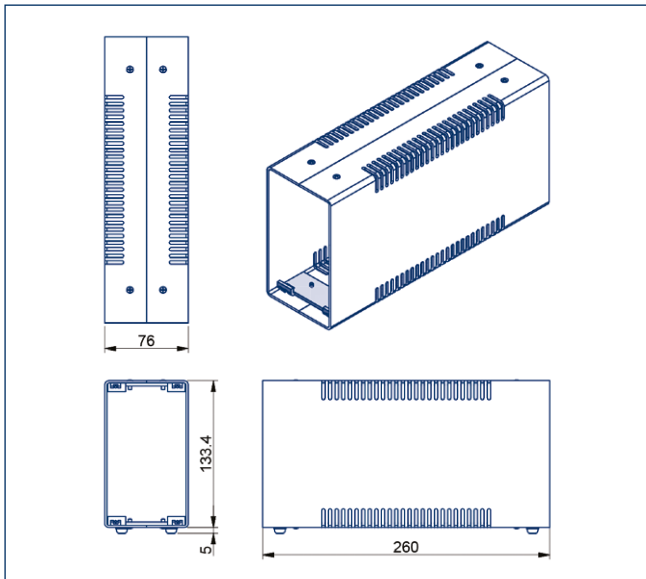


Hook-up example

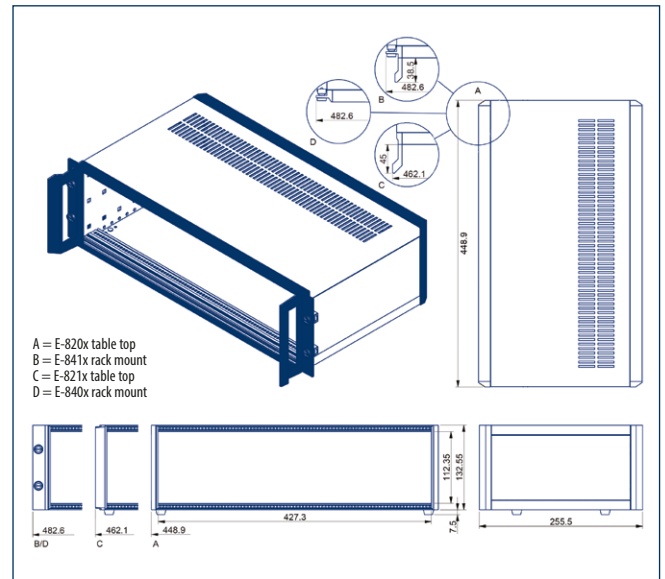


> Dimensions

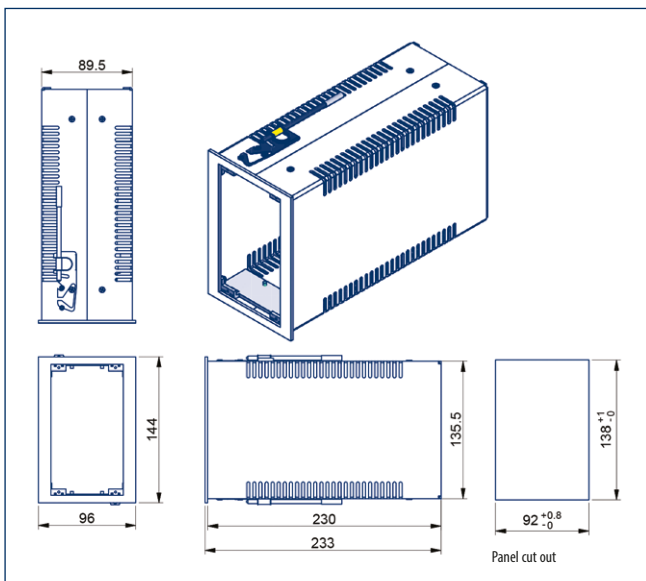
14TE Cassette table top housing



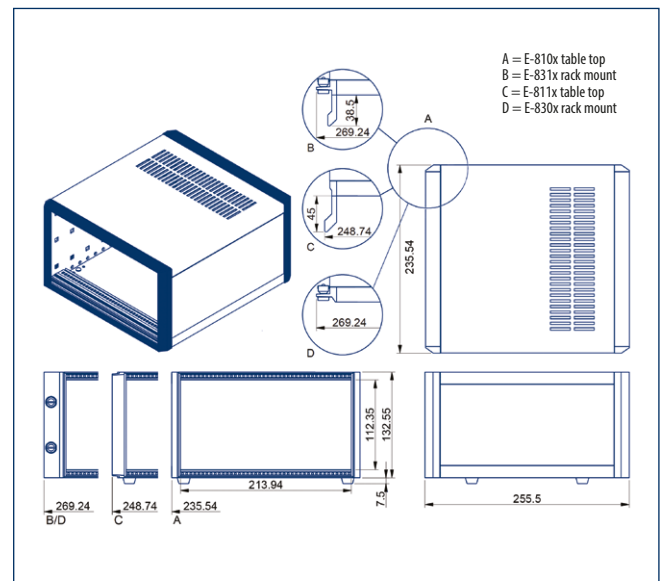
19" housing



14TE Cassette rack mount housing



1/2 19" housing





www.bronkhorst.com

Bronkhorst High-Tech designs and manufactures innovative instruments and subsystems for low-flow measurement and control for use in laboratories, machinery and industry. Driven by a strong sense of sustainability and with many years of experience, we offer an extensive range of (mass) flow meters and controllers for gases and liquids, based on thermal, Coriolis and ultrasonic measuring principles. Our global sales and service network provides local support in more than 40 countries. Discover Bronkhorst®!

Bronkhorst High-Tech B.V.
Nijverheidsstraat 1a
NL-7261 AK Ruurlo, The Netherlands

Tel. +31 573 458800
info@bronkhorst.com



9.60.043H L2301577 @Bronkhorst*