



Primary Flowpoints

Style WF Sight Glass

This circular sight glass is ideal for you to visually check the presence, colour and condition of a liquid.

- ◆ High quality robust design
- ◆ High temperature and pressure ratings
- ◆ Short lead times
- ◆ Designed and manufactured in the UK.
- ◆ All flange types available



Application

This model is designed to provide a window for viewing the contents of a vessel or tank. Suitable for bolting to a pipe flange. The windows are either toughened soda lime or toughened borosilicate glass to suit the contents of the vessel. Mica protection shields can be added for alkaline fluids.

Materials of Construction

Back Pad - Stainless steel BS EN 10088-3: 1.4404/1.4401(316)

- Carbon steel A350 LF2 / ASTM A105

Covers - Stainless steel ASTM A351 CF8M (316) or 316

- Mild steel grade S355J2+N

Glasses - Toughened Soda Lime BS3463

- Toughened Borosilicate DIN7080 or BS3463

Internal Gasket - PTFE

External Gasket - Klingersil C4400

Edge Protector - Klingersil C4400

Fasteners (Standard) - A2 Stainless Steel

(High Pressure) - High Tensile Steel

Quality

All Flowpoints sight glasses are manufactured to the highest standards.

The quality system is independently audited by BSI and certified to ISO 9001.

Full material traceability is maintained, material certificates are supplied on request.

Tel: 01922 650009

Email: Sales@flowpoints.co.uk

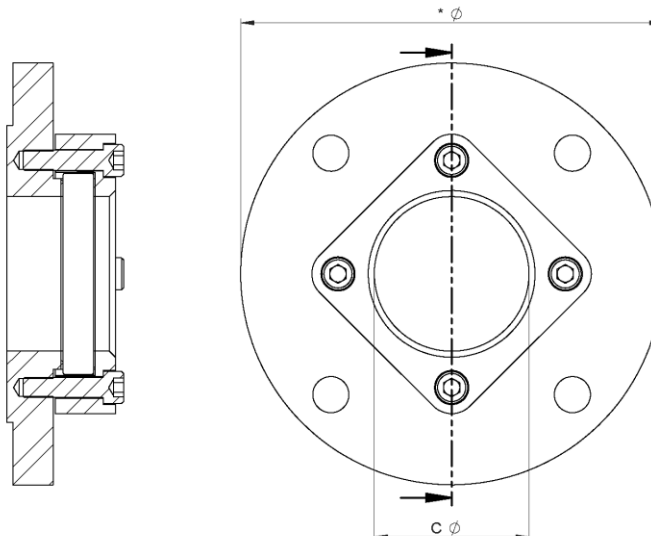
Specification Code

Code		Description				
SWF		Stainless steel body BS EN 10088-3: 1.4404/1.4401 (316)				
CWF		Carbon steel body A350 LF2 / ASTM A105				
H		Glass Material & Pressure Range				
B		Toughened soda lime glass to BS3463 rated to 16 bar (Standard)				
HB		Toughened soda lime glass to BS3463 rated to 40 bar				
		Toughened borosilicate glass to BS3463 rated to 6 bar				
		Toughened borosilicate glass to DIN 7080 rated to 16 bar				
		Indicator Size	Maximum Working Pressure (Bar) for Glass			
			Toughened Soda Lime	Toughened Soda Lime (H)	Toughened Borosilicate (B)	Toughened Borosilicate (HB)
040		40mm / 1 1/2"	16	40	6	16
050		50mm / 2"	16	40	6	16
065		65mm / 2 1/2"	16	40	6	16
080		80mm / 3"	16	40	6	16
100		100mm / 4"	16	40	6	16
125		125mm / 5"	16	40	6	16
150		150mm / 6"	16	40	6	16
200		200mm / 8"	16	25	6	10
250		250mm / 10"	16	25	6	10
		End Connection				
A		ANSI 150#				
C		ANSI 300#				
N		PN16				
		Other Flange Types Available				
The working pressure of the sight glass is the lower of glass or flange rating.						

Dimensions

Flange Size (mm)	BORE (mm)	C
40	40	42
50	50	48
65	65	62
80	80	77
100	80	77
125	100	100
150	100	100
200	150	150
250	200	200

Other clear view (C) dimensions available upon request



*See relevant flange standard for overall diameter